

AD-45x2Ri

45-lb Capacity Coin Stack Dryer

Standard Features:

- 20% more efficiency
- Fast drying times
- Two-point roller system
- Stainless steel fronts standard
- Stainless steel basket standard
- Trans-axial airflow
- Single-phase reversing basket
- Phase-7 micro-controls
- Available in gas only

Optional Features:

- Optimal double-pane door glass
- S.A.F.E. (Sensor Activated Fire Extinguishing System)



AD-45x2Ri Coin Stack Dryer

Why Purchase AD-45x2Ri?

Performance

The achievement: Through innovative design, the i-Series dryers achieve higher performance, industry-leading efficiency, shorter dry times and safer, more reliable operation. What an owner wants, an owner gets: saving money on utilities and maintenance. Anyone can say their dryers have the best performance. The Intelligent Dryer Series has the features to prove it.

Reliability

Demanding owners require more than just outstanding performance for their toughest laundry environments. To accommodate owners, we designed the i-Series with years of reliable operation as an absolute design necessity. A sturdy steel-welded cabinet, fewer moving parts and top-quality components are the foundation of the line. Costly repairs and unwanted downtime are now a thing of the past.

Your local ADC independent authorized distributor



www.adclaundry.com

AD-45x2Ri

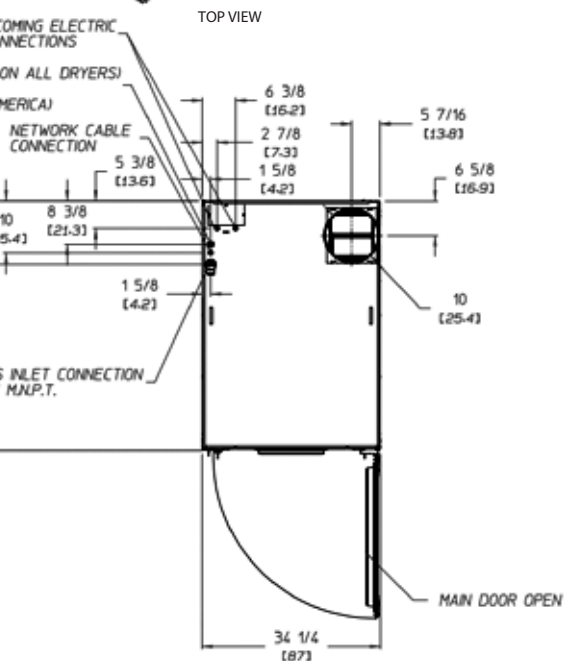
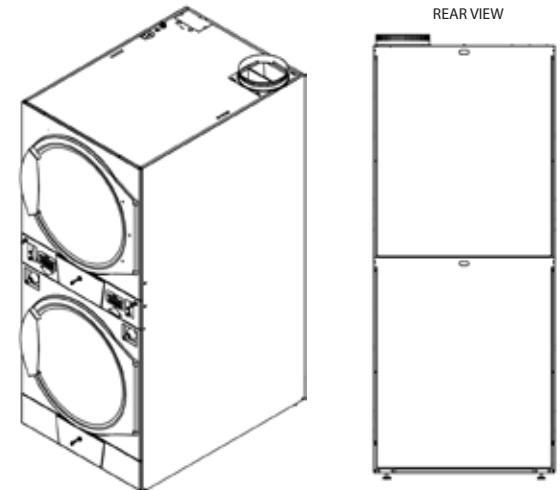
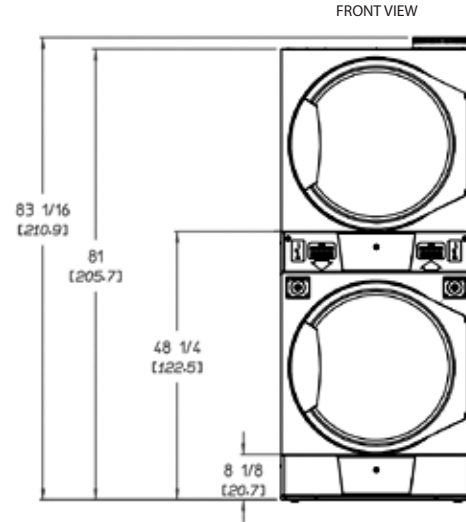
AD-45x2Ri Specifications

Maximum Capacity (dry weight) Per Pocket	45 lb	20.4 kg
Tumbler Diameter	32-3/4"	83.2 cm
Tumbler Depth	30"	76.2 cm
Tumbler Volume Per Pocket	14.6 cu ft	413.4 L
Tumbler/Drive Motor Per Pocket	1/3 hp	0.25 kW
Blower/Fan Motor Per Pocket	1/2 hp	0.37 kW
Door Opening (diameter)	27"	68.6 cm
Door Sill Height Top Pocket/Bottom Pocket	50.4" / 10.3"	128 cm / 26.2 cm
Dryers Per 20'/40' Container	10 / 21	
Dryers Per 48'/53' Truck	25 / 28	
Gas Model	Voltage Available	120-240V 1ø 2w 50/60 Hz
	Approximate Net Weight	640 lb 290 kg
	Approximate Shipping Weight	700 lb 318 kg
	Airflow Per Pocket	60 Hz 525 cfm 14.9 cmm
		50 Hz 440 cfm 12.5 cmm
	Heat Input Per Pocket	94,000 Btu/hr 23,688 kcal/hr
	Exhaust Connection (diameter) Per Dryer	10" 25.4 cm
Inlet Pipe Connection Per Dryer	1/2" M.N.P.T. 1/2" B.S.P.T. (CE and Australia Only)	

Electrical Specs are per pocket.

Electrical Service Specifications

GAS HEAT							
SERVICE VOLTAGE	PHASE	WIRE SERVICE	TOTAL AMPS		BREAKER SIZE		WIRE
			60 Hz	50 Hz	60 Hz	50 Hz	
120	1ø	2	8.8	--	15	--	14
240	1ø	2	5	--	15	--	14
220	1ø	2	--	5.7	--	15	14
230	1ø	2	--	5.7	--	15	14



QY160045 1/17

88 Currant Road, Fall River, MA 02720-4781 • 508.678.9000