

# ADC EcoDry ADFG-6

## Firefighter's Turnout Gear Drying Cabinet

### Standard Features:

- Red or White Cabinet
- Dries 6 Sets of Turn-Out Gear
- 6 Removable Coat and Pants Hangers
- Self-Diagnostic Microprocessor Control
- Two Independent Heating and Fan Systems
- Directed Airflow
- Solid Construction
- Drainage Basin

### Optional Features:

- Stainless Steel Cabinet
- Glove Hanger
- Boot Hanger
- Adjustable Single Shelf



Cabinet shown with optional glove and boot hangers

Firefighters risk their lives everyday and depend on their equipment to protect them against the demanding and dangerous environment in which they work. The last thing they need to worry about is their firefighter's turnout gear. This is why ADC, the world leader in drying technology is offering the ADFG drying cabinet, designed specifically for drying firefighter turnout gear.

Unlike a traditional tumble dryer that may not be able to effectively dry these heavier, bulkier garments, the ADFG Drying Cabinet allows for gear to be hung inside so warm air can circulate through coats, pants, gloves and boots. This ensures that all items are dried, avoiding any water getting trapped in seams or pockets. This guarantees the firefighters comfort and prolongs the life of their equipment.

## Why Buy the ADC ADFG Drying Cabinet:

### Design & Construction:

Completely manufactured in Massachusetts, the ADFG is constructed using heavy-duty, cold-rolled steel with reinforced base, sides, and door panels. Finished with the most durable powder coating, baked on at 425° Fahrenheit, the ADFG ensures years of performance under the heaviest conditions. (A full stainless steel cabinet is also available as an option).

### ADFG Microprocessor Controls:

The Phase 7 microprocessor takes the guesswork out of drying! ADC was the first company to develop a microprocessor for commercial and industrial dryers and the Phase 7, One Touch Micro, incorporates the same technology making drying simple and error-free. With 6 factory pre-sets and the ability to add and modify additional cycles, one touch is all it takes. Depending on the number of items, the micro can be set to dry for up to 4 hours. Press the button and walk away.



### Performance:

The last thing a firefighter needs to worry about is whether their equipment is dry and ready to go. Designed to hold up to 6 sets of gear, the unique airflow pattern is delivered using two separate blowers and ensures that warm air penetrates even the tightest areas. Boots and gloves are provided with individual hangers making sure no residual moisture is left in the equipment. A sturdy shelf and hose hangers are also available to fit perfectly inside the cabinet.

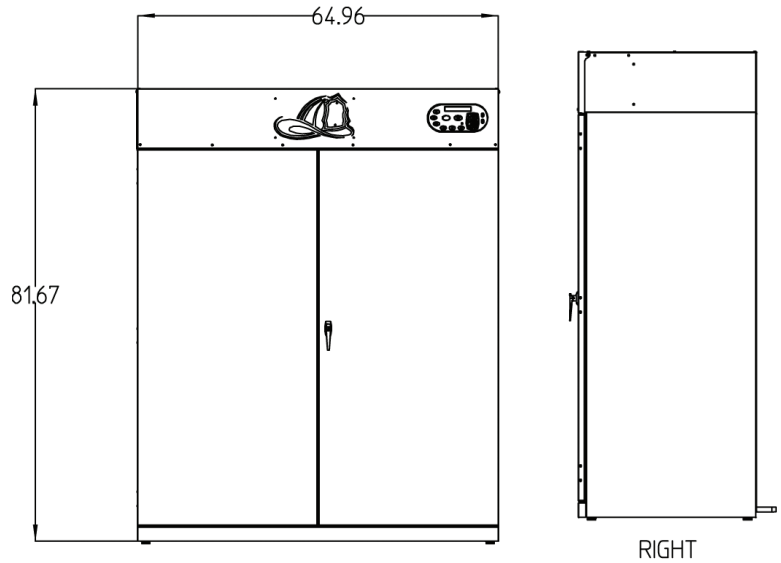
When it comes to drying, the world turns to ADC. For more information about this and other great drying products visit [www.adclaundry.com](http://www.adclaundry.com) or contact our sales department directly at (508) 678-9000.

Your local ADC independent authorized distributor

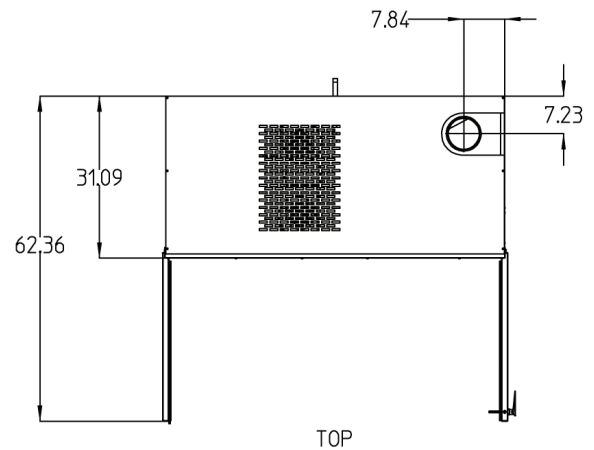
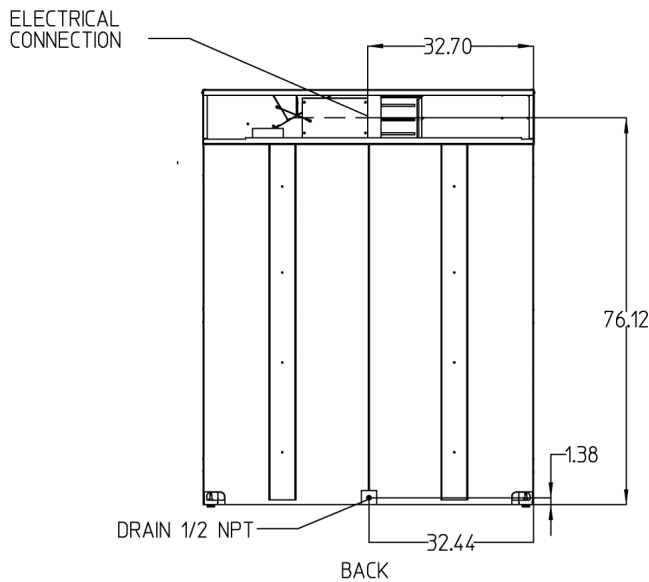
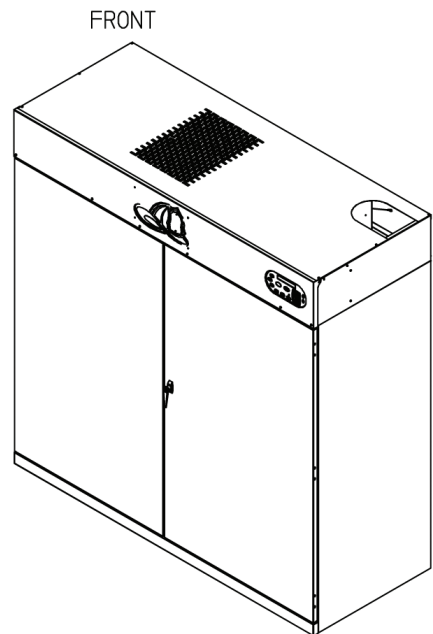


# ADC EcoDry ADFG-6

ADFG-6 Drying Cabinet Specifications		
Capacity	6 sets of turnout gear	
Width	64.96" (1396 mm)	
Depth	31.09" (79 mm)	
Height	81.67" (2074 mm)	
Inside Dimensions	Width	64.75 (1391 mm)
	Depth	29" (735 mm)
	Height	68" (1727 mm)
Electric Heating	12 kW	
Exhaust Diameter	6" (153 mm)	
Outlet Airflow	300 cfm (8.5 cmm)	
Net Weight	606 lbs (274.87 kg)	
Shipping Weight	647 lbs (293.47 kg)	



Electrical Specs						
SERVICE VOLTAGE	PHASE	WIRE SERVICE	OVEN KW	APPROX AMP DRAW		CIRCUIT BREAKER
				60 Hz	50 Hz	
<b>ELECTRIC</b>						
200	1ø	2	7.8	40.6		60
208	1ø	2	8.4	47.2	40	60
220	1ø	2	9.4		44.5	60
230	1ø	2	10.3	46.7	46.5	60
240	1ø	2	11.2	48.5		60
208	3ø	3	8.4	28		35
220	3ø	3	9.4	26.4		35
230	3ø	3	10.3	27.7		40
240	3ø	3	11.2	28.8		40



PN 450644 Rev. 8-9-13

88 Currant Road Fall River, MA 02720-4781 • 508.678.9000 • Fax: 508.678.9447 • Email: sales@amdry.com

[www.adclaundry.com](http://www.adclaundry.com)