

# ADC EcoDry ES-50

## 50-lb Capacity OPL Dryer

### Standard Features:

- 50-lb. Capacity
- Single Phase Reversing
- Residual Moisture Control (RMC)
- Self-Diagnostic Microprocessor Control
- 100% Axial Airflow
- Completely Sealed Basket
- Non-Perforated Ribs and Basket
- Dual-Paned Door Glass
- Four-Point Roller Support System
- High Capacity Lint Drawer

### Optional Features:

- Stainless Steel Front, Cabinet & Basket
- S.A.F.E. (Sensor Activated Fire Extinguishing System)

OPL



ES-50 OPL Dryer

## Why Purchase ADC EcoDry?

### 100% Axial Airflow (standard)

EcoDry tumblers incorporate a 100% axial airflow design with a completely sealed basket. This ensures the most efficient drying available on the market today without sacrificing dry times.

### Four-Point Roller Support System (standard)

EcoDryers are designed with a four-point roller support system, eliminating costly repairs and downtime due to trunnion failures.

### Single Phase Reversing (standard)

Single Phase Reversing is standard on the ES-50 and ES-76 (optional on other units). What once was an expensive option requiring an upgrade from single phase to three phase electrical service is now available in single phase. A reversing tumbler ensures that the load doesn't "rope" or "ball up", providing a quicker, more even drying process.

### Residual Moisture Control (standard)

EcoDry utilizes a unique Residual Moisture Control (RMC) sensing system to measure the presence of moisture in the load. The patented system senses when the load is dry, shutting the unit down to prevent over-drying. This saves time, utility costs as well as prolongs the life of dried items.

Your local ADC independent authorized distributor



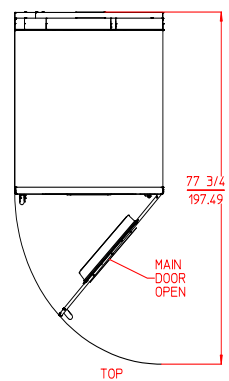
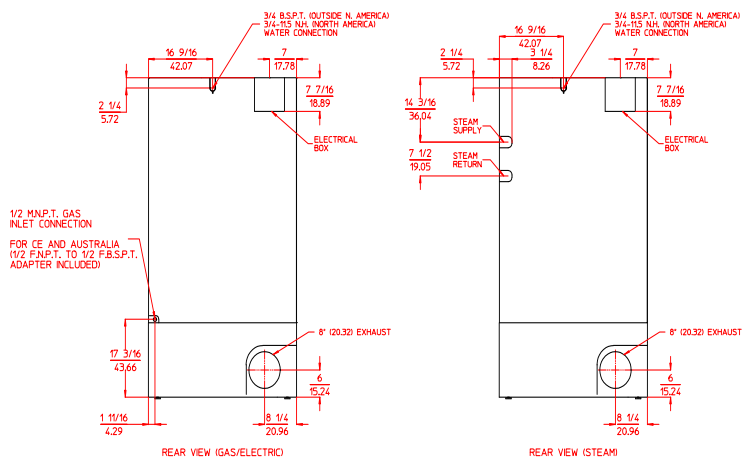
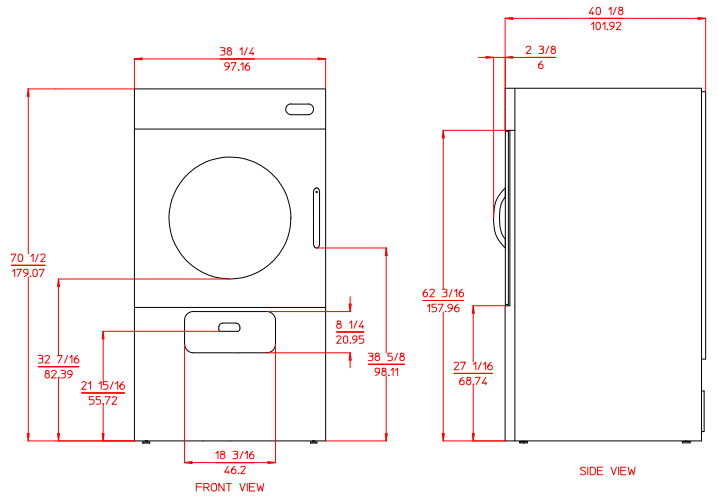
# ADC EcoDry ES-50

## ES-50 Specifications

|                               |  |         |
|-------------------------------|--|---------|
| Tumbler Capacity (Dry Weight) | 50 lbs. (22.68 kg)   |         |
| Tumbler Diameter              | 37" (93.98 cm)   |         |
| Tumbler Depth                 | 25-3/4" (65.41 cm)   |         |
| Tumbler Volume                | 16.02 cu ft (453.64 L)   |         |
| Tumbler/Drive Motor           | 3/4 hp (0.56 kW)   |         |
| Blower/Fan Motor              | 1/2 hp (0.37 kW)   |         |
| Door Opening (Diameter)       | 27-3/8" (69.53 cm)   |         |
| Door Sill Height              | 31-1/4" (79.375 cm)  |         |
| S.A.F.E. Water Connection     | North America<br>3/4" F.N.P.T. (11.5 N.H.)<br>Outside North America<br>3/4" B.S.P.T. |         |
| Dryers per 20'/40' Container  | 10 / 22  |         |
| Dryers per 48'/53' Truck      | 28   |         |
| <b>Gas</b>                    |  |         |
| Voltage Available             | 120-240V 1ø 2,3w 50/60 Hz  |         |
| Approximate Net Weight        | 610 lb (276.69 kg)   |         |
| Approximate Shipping Weight   | 640 lb (290.30 kg)   |         |
| Airflow                       | 60 Hz 600 cfm (17.00 cmm)<br>50 Hz 600 cfm (14.16 cmm)                               |         |
| Heat Input                    | 110,000 Btu/hr (27,720 kcal/hr)  |         |
| Exhaust Connection (Diameter) | 8" (20.32 cm)  |         |
| Compressed Air Connection     | N / A  |         |
| Compressed Air Volume         | N / A  |         |
| Inlet Pipe Connection         | 1/2" M.N.P.T.<br>1/2" F.B.S.P.T. (CE and Australia Only)                             |         |
| <b>Electric</b>               |  |         |
| Voltage Available             | 200-416V 1,3ø 3,4w 50/60 Hz  |         |
| Approximate Net Weight        | 610 lb (276.69 kg)   |         |
| Approximate Shipping Weight   | 640 lb (290.30 kg)   |         |
| Airflow                       | 60 Hz 600 cfm (17.00 cmm)<br>50 Hz 500 cfm (14.16 cmm)                               |         |
| Exhaust Connection (Diameter) | 8" (20.32 cm)  |         |
| Compressed Air Connection     | N / A  |         |
| Compressed Air Volume         | N / A  |         |
| Oven Size                     |  |         |
| kW                            | Btu/hr   | kcal/hr |
| 13.4                          | 45,869   | 11,559  |
| 14.7                          | 50,136   | 12,634  |
| 14.8                          | 50,545   | 12,737  |
| 16.0                          | 54,606   | 13,761  |
| 22.0                          | 75,084   | 18,920  |
| <b>Steam</b>                  |  |         |
| Voltage Available             | 120-240V 1ø 2,3w 50/60 Hz  |         |
| Approximate Net Weight        | 610 lb (276.69 kg)   |         |
| Approximate Shipping Weight   | 640 lb (290.30 kg)   |         |
| Airflow                       | 60 Hz 600 cfm (17.00 cmm)<br>50 Hz 500 cfm (14.16 cmm)                               |         |
| Steam Consumption             | 107 lb/hr (48.53 kg/hr)  |         |
| Operating Steam Pressure      | 150 psi max (10.34 bar)  |         |
| Exhaust Connection (Diameter) | 8" (20.32 cm)  |         |
| Compressed Air Connection     | N / A  |         |
| Compressed Air Volume         | N / A  |         |
| Boiler HP (Normal Load)       | 4 Bhp  |         |
| Standard Supply Connections   | 3/4" F.N.P.T.  |         |
| Standard Return Connections   | 3/4" F.N.P.T.  |         |

\* Specifications in parentheses are metric equivalents.

8/27/15



| Electrical Service Specifications |       |              |                 |       |                 |
|-----------------------------------|-------|--------------|-----------------|-------|-----------------|
| SERVICE VOLTAGE                   | PHASE | WIRE SERVICE | APPROX AMP DRAW |       | CIRCUIT BREAKER |
|                                   |       |              | 60 Hz           | 50 Hz |                 |
| <b>GAS</b>                        |       |              |                 |       |                 |
| 120                               | 1ø    | 2            | 25.9            | --    | 20              |
| 200                               | 1ø    | 2            | 14.7            | --    | 15              |
| 208                               | 1ø    | 2            | 14.7            | --    | 15              |
| 220                               | 1ø    | 2            | 12.0            | 11.3  | 15              |
| 230                               | 1ø    | 2            | 13.7            | 11.3  | 15              |
| 240                               | 1ø    | 2            | 13.4            | 11.8  | 15              |
| <b>STEAM</b>                      |       |              |                 |       |                 |
| 120                               | 1ø    | 2            | 22.2            | --    | 20              |
| 200                               | 1ø    | 2            | 12.8            | --    | 15              |
| 208                               | 1ø    | 2            | 12.8            | --    | 15              |
| 220                               | 1ø    | 2            | 11.8            | 9.4   | 15              |
| 230                               | 1ø    | 2            | --              | 9.4   | 15              |
| 240                               | 1ø    | 2            | 11.4            | --    | 15              |

| Electrical Service Specifications |       |              |         |                 |       |                 |                 |       |              |         |                 |       |                 |
|-----------------------------------|-------|--------------|---------|-----------------|-------|-----------------|-----------------|-------|--------------|---------|-----------------|-------|-----------------|
| SERVICE VOLTAGE                   | PHASE | WIRE SERVICE | OVEN kW | APPROX AMP DRAW |       | CIRCUIT BREAKER | SERVICE VOLTAGE | PHASE | WIRE SERVICE | OVEN kW | APPROX AMP DRAW |       | CIRCUIT BREAKER |
|                                   |       |              |         | 60 Hz           | 50 Hz |                 |                 |       |              |         | 60 Hz           | 50 Hz |                 |
| <b>ELECTRIC</b>                   |       |              |         |                 |       | <b>ELECTRIC</b> |                 |       |              |         |                 |       |                 |
| 200                               | 1ø    | 2            | 14.8    | 86.7            | --    | 125             | 220             | 3ø    | 3            | 13.4    | 47.0            | 44.6  | 60              |
| 208                               | 1ø    | 2            | 16.0    | 89.9            | --    | 125             | 230             | 3ø    | 3            | 14.7    | --              | 46.2  | 60              |
| 220                               | 1ø    | 2            | 13.4    | 72.8            | 70.4  | 100             | 240             | 3ø    | 3            | 16.0    | 49.8            | --    | 80              |
| 230                               | 1ø    | 2            | 14.7    | --              | 73.2  | 100             | 380             | 3ø    | 4            | 13.4    | 32.0            | 37.2  | 40              |
| 240                               | 1ø    | 2            | 16.0    | 78.0            | --    | 100             | 400             | 3ø    | 4            | 14.0    | --              | 32.0  | 50              |
| 208                               | 3ø    | 3            | 16.0    | 57.2            | --    | 80              | 416             | 3ø    | 4            | 16.0    | --              | 31.2  | 40              |

For higher voltage please contact sales.

P/N 450609.A Rev. 09/23/15

88 Currant Road Fall River, MA 02720-4781 • 508.678.9000 • Fax: 508.678.9447 • Email: sales@amdry.com



www.adclaundry.com