

# AD-120i

## 120-lb Capacity OPL Dryer

### Standard Features:

- Variable drum speed
- Pre-heat system
- Trans-axial air flow
- Fully insulated cabinet
- Double pane door glass
- Self cleaning lint screen
- Direct spark ignition
- Two point roller support
- "IMC" intuitive micro control with Auto Dry System
- S.A.F.E.- Sensor Activated Fire Extinguishing System
- Reversing Basket
- Stainless Steel basket and fronts
- Simplified Inverter Drive System
- Fits through standard 48 inch door
- Available in gas, steam and electric

OPL



AD-120i OPL Dryer

### Optional Features:

- Automatic Airflow Compensator (AAFC)  
Optional AAFC adjusts exhaust fan speed to improve exhaust flow with increased back pressure caused by installation issues. This exclusive patented technology adjusts fan speed and enhances dryer performance. Measurements are calculated in real-time, on an ongoing basis to optimize dry-times and efficiency.

### Why Purchase AD-120i?

#### Performance

The Achievement: Through innovative design the i-series dryers achieve higher performance, industry leading efficiency, shorter dry times and safer, more reliable operation. What an owner wants, an owner gets: saving money on utilities, payroll, and maintenance. Anyone can say their dryers have the best performance. The Intelligent Dryer Series has the features to prove it.

#### Reliability

Demanding owners require more than just outstanding performance for their toughest laundry environments. To accommodate owners, we designed the i-series with years of reliable operation as an absolute design necessity. A sturdy steel welded cabinet, fewer moving parts and top quality components are the foundation of the line. Costly repairs and unwanted down time are now a thing of the past.

#### IMC- Intuitive Micro Controls is easy to use and 100% customizable.

The IMC is an intelligent and simple to use control system that provides one-touch program selection. By creating a fully integrated drying system, ADC utilizes IMC to control all aspects of the drying process to minimize user error and maximize drying speed and efficiency.

Your local ADC independent authorized distributor



[www.adclaundry.com](http://www.adclaundry.com)

# AD-120i

## AD-120i Specifications

Maximum Capacity (dry weight)	120 lb	54.43 kg	
Tumbler Diameter	42"	106.68 cm	
Tumbler Depth	44-1/4"	112.39 cm	
Tumbler Volume	35.5 cu ft	1005.25 L	
Tumbler / Drive Motor	2 hp	1.49 kW	
Blower / Fan Motor	Gas / Steam	1 hp / 3 hp	
		0.75 kW / 2.24 kW	
Cabinet Width	44-7/8"	113.98 cm	
Cabinet Depth	61-3/8"	155.89 cm	
Cabinet Height	88-7/8"	225.74 cm	
Door Opening (diameter)	31-3/8"	79.69 cm	
Door Sill Height	32-1/4"	81.91 cm	
Water Connection	3/4"-11.5 NH (North America) 3/4" B.S.P.T. (Outside North America)		
Dryers per 20' / 40' Container	4 / 9		
Dryers per 48' / 53' Container	10 / 12		
<b>GAS MODEL</b>	Voltage Available	120-480V 1,3ø 2,3 50/60 Hz	
	Approximate Net Weight	1,440 lb 653.17 kg	
	Approximate Shipping Weight	1,500 lb 680.39 kg	
	Airflow 50 Hz / 60 Hz	1,350 cfm 38.23 cmm	
	Heat Input	250,000 Btu/hr 62,998 kcal/hr	
	Exhaust Connection (diameter)	10" 25.4 cm	
<b>ELECTRIC MODEL</b>	Voltage Available	208V-480V 3ø 2,3,4w 50/60 Hz	
	Approximate Net Weight	1,440 lb 653.17 kg	
	Approximate Shipping Weight	1,500 lb 680.39 kg	
	Airflow 50 Hz / 60 Hz	1,440 cfm 40.77 cmm	
	Exhaust Connection (diameter)	10" 25.4 cm	
	Oven Size		
	kW	BTU/Hr	Kcal/Hr
	44	150134	37,834
	40.8	139,612	35,082
	37	12,6250	31,814
<b>STEAM MODEL</b>	Voltage Available	208-480V 1,3ø 2,3 50/60 Hz	
	Approximate Net Weight	1,540 lb 698.53 kg	
	Approximate Shipping Weight	1,600 lb 725.75 kg	
	Airflow 50 Hz / 60 Hz	1,750 cfm 49.55 cmm	
	Steam Consumption (Max)	178 lb/hr 80.74 kg/hr	
	Operating Steam Pressure	125 psi max 8.62 bar	
Exhaust Connection (Diameter)	12" 30.48 cm		
Boiler Horsepower (Normal Load)	4.8 Bhp		
Supply Connection	(1) 1" N.P.T. (Female)		
Return Connection	(1) 1" N.P.T. (Female)		

3/9/16

### ELECTRICAL SERVICE SPECIFICATIONS (PER POCKET)

IMPORTANT: 208 VAC AND 230/240 VAC ARE NOT THE SAME. When ordering, specify exact voltage.

- NOTES: A. When fuses are used they must be dual element, time delay, current limiting, class RK1 or RK5 ONLY. Calculate/determine correct fuse value, by applying either local and/or National Electrical Codes to listed appliance amp draw data.
- B. Circuit breakers are thermal-magnetic (industrial) motor curve type ONLY. For others, calculate/verify correct breaker size according to appliance amp draw rating and type of breaker used.
- C. Circuit breakers for 3-phase (3ø) dryers must be 3-pole type.

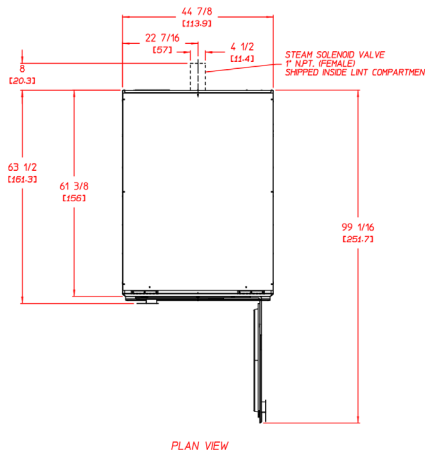
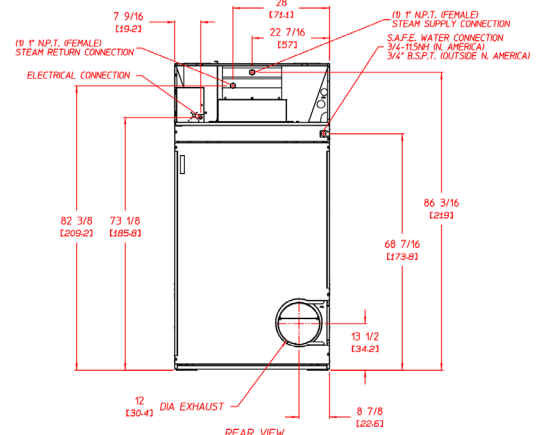
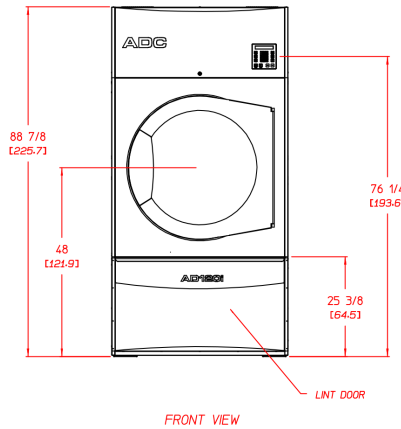
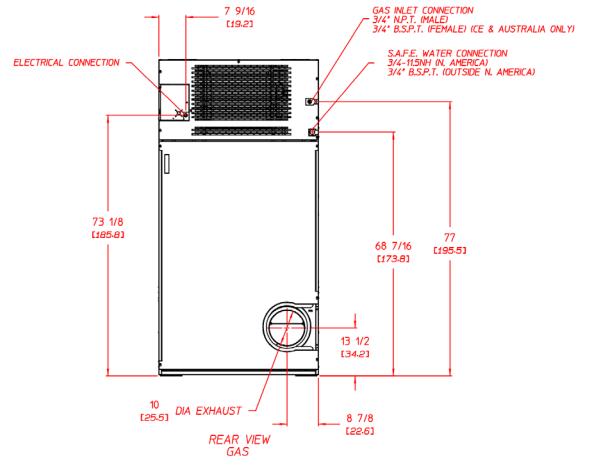
### ELECTRICAL SERVICE SPECIFICATIONS (PER POCKET)

SERVICE VOLTAGE	PHASE	WIRE SERVICE	APPROX. AMP DRAW		CIRCUIT BREAKER
			60 Hz	50 Hz	
*120	1ø	2	12.8	—	20
208	1ø	2	12.8	—	20
220	1ø	2	10	10	15
230	1ø	2	10	10	15
240	1ø	2	10	10	15
208	3ø	3	10	—	15
220	3ø	3	10	—	15
230	3ø	3	10	—	15
240	3ø	3	10	—	15
440	3ø	3	6.28	—	15
460	3ø	3	6.28	—	15
480	3ø	3	6.28	—	15

\*gas only



88 Currant Road Fall River, MA 02720-4781 • 508.678.9000 • Fax: 508.678.9447 • Email: sales@amdry.com



P/N 451045 03/9/16