

# AD 35i

## 35-lb Capacity Coin Dryer

### Standard Features:

- Variable drum speed
- Pre-heat system
- Trans-axial air flow
- Fully insulated cabinet
- Self cleaning lint screen
- Direct spark ignition
- Two point roller support
- "IMC" intuitive micro control with auto dry system
- Single Phase Reversing Basket
- Stainless Steel basket and fronts
- Simplified Inverter Drive System
- Fits through standard 36 inch door
- Available in gas & electric

### Optional Features:

- Double pane door glass
- S.A.F.E.- Sensor Activated Fire Extinguishing System
- Automatic Airflow Compensator (AAFC)

Optional AAFC adjusts exhaust fan speed to improve exhaust flow with increased back pressure caused by installation issues. This exclusive patented technology adjusts fan speed and enhances dryer performance. Measurements are calculated in real-time, on an ongoing basis to optimize dry-times and efficiency.

### Why Purchase AD 35i?

#### Performance

The Achievement: Through innovative design the i-series dryers achieve higher performance, industry leading efficiency, shorter dry times and safer, more reliable operation. What an owner wants, an owner gets: saving money on utilities, payroll, and maintenance. Anyone can say their dryers have the best performance. The Intelligent Dryer Series has the features to prove it.

#### Reliability

Demanding owners require more than just outstanding performance for their toughest laundry environments. To accommodate owners, we designed the i-series with years of reliable operation as an absolute design necessity. A sturdy steel welded cabinet, fewer moving parts and top quality components are the foundation of the line. Costly repairs and unwanted down time are now a thing of the past.

#### IMC- Intuitive Micro Controls is easy to use and 100% customizable.

The IMC is an intelligent and simple to use control system that provides one-touch program selection. By creating a fully integrated drying system, ADC utilizes IMC to control all aspects of the drying process to minimize user error and maximize drying speed and efficiency.



AD 35i Coin Dryer

Your local ADC independent authorized distributor

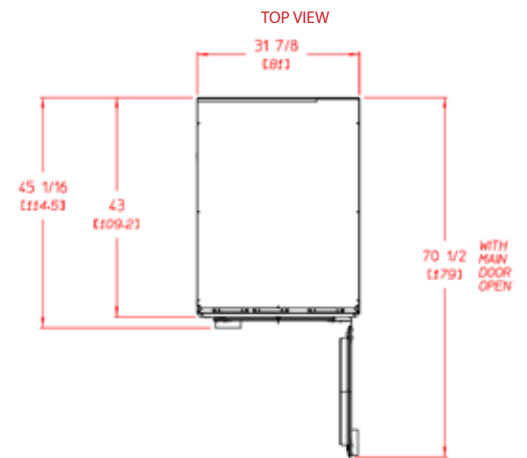
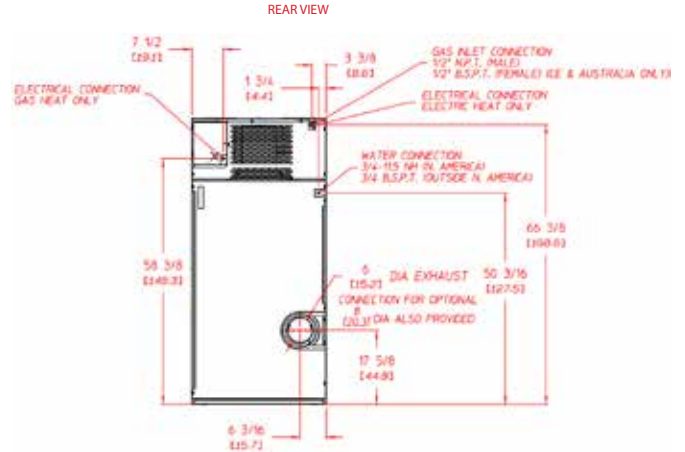


# AD 35i

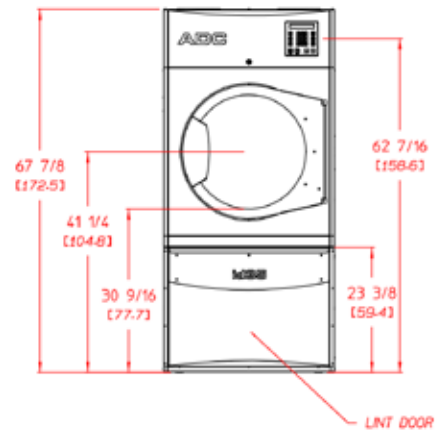
## AD-35i Specifications

Maximum Capacity (dry weight)	35 lb	15.87 kg	
Tumbler Diameter	30"	76.2 cm	
Tumbler Depth	29-3/8"	74.61 cm	
Tumbler Volume	12.0 cu ft	339.80 L	
Tumbler / Drive Motor	1 hp	0.75 kW	
Blower / Fan Motor	1/2 hp	0.37 kW	
Cabinet Width	31-7/8"	80.96 cm	
Cabinet Depth	43"	109.22 cm	
Cabinet Height	67-7/8"	172.40 cm	
Door Opening (diameter)	21-1/2"	54.61 cm	
Door Sill Height	30-9/16"	77.62 cm	
Water Connection	3/4"-11.5 NH (North America) 3/4" B.S.P.T. (Outside North America)		
Dryers per 20'/40' Container	10 / 22		
Dryers per 48'/53' Container	32 / 36		
<b>GAS MODEL</b>	Voltage Available	120-480V 1,3ø 2,3w 50/60 Hz	
	Approximate Net Weight	552 lb 250.38 kg	
	Approximate Shipping Weight	585 lb 322.05 kg	
	Airflow	50 Hz 340 cfm 9.63 cmm 60 Hz 440 cfm 12.46 cmm	
	Heat Input	70,000 Btu/hr 17,639 kcal/hr	
	Exhaust Connection (diameter)	6" / 8" 15.24 cm / 20.32 cm	
	Inlet Pipe Connection	1/2" N.P.T. (Male) 1/2" B.S.P.T. (Female) (CE and Australia Only)	
<b>ELECTRIC MODEL</b>	Voltage Available	120-480V 1,3ø 2,3,4w 50/60 Hz	
	Approximate Net Weight	557 lb 252.65 kg	
	Approximate Shipping Weight	590 lb 267.62 kg	
	Airflow	50 Hz 280 cfm 7.93 cmm 60 Hz 420 cfm 11.89 cmm	
	Exhaust Connection (diameter)	6" / 8" 15.24 cm / 20.32 cm	
	Oven Size		<b>kW</b>
			<b>BTU</b>
			<b>Kcal</b>
			13.5 46,074 11,611
			12.4 42,310 10,662
		11.3 38,557 9,716	
		10.1 34,462 8,684	
	9.0 30,709 7,739		
	8.3 28,320 7,137		
	7.5 25,519 6,449		
	6.7 22,861 5,761		

2/5/15



FRONT VIEW



\* If configuration ordered is 1ph motor, 3ph heat dryer will be 4w.

## Electrical Service Specifications

### GAS HEAT

SERVICE VOLTAGE	PHASE	WIRE SERVICE	APPROX AMP DRAW		CIRCUIT BREAKER
			60 Hz	50 Hz	
120	1ø	2	10.2	--	15
208	1ø	2	6.8	--	15
220	1ø	2	6.6	6.6	15
230	1ø	2	6.6	6.6	15
240	1ø	2	6.6	6.6	15
208	3ø	3	5	--	15
220	3ø	3	5.4	3	15
230	3ø	3	5.4	3	15
240	3ø	3	5.4	3	15
380	3ø	3	--	2.5	15
400	3ø	3	--	2.5	15
416	3ø	3	--	2.5	15
440	3ø	3	3.1	--	15
460	3ø	3	3.1	--	15
480	3ø	3	3.1	--	15

## Electrical Service Specifications

### ELECTRIC HEAT

SERVICE VOLTAGE	PHASE	WIRE SERVICE	kW	APPROX AMP DRAW		CIRCUIT BREAKER
				60 Hz	50 Hz	
<b>SINGLE PHASE HEAT SINGLE PHASE MOTOR</b>						
220	1ø	2	11.3	58.0	56.0	80
230	1ø	2	12.4	60.5	58.5	80
240	1ø	2	13.5	62.9	60.9	80
<b>THREE PHASE HEAT SINGLE PHASE MOTOR</b>						
220	3ø	3	11.3	34.3	34.3	50
230	3ø	3	12.4	35.7	35.7	50
240	3ø	3	13.5	37.1	37.1	50
380	3ø	3*	11.3	--	23.3	30
400	3ø	3*	12.4	--	24.0	30
416	3ø	3*	13.5	--	24.8	40
<b>THREE PHASE HEAT THREE PHASE MOTOR</b>						
220	3ø	3	11.3	35	35	50
230	3ø	3	12.4	37	36	50
240	3ø	3	13.5	38	38	50
380	3ø	3	11.3	--	21	30
400	3ø	3	12.4	--	21	30
416	3ø	3	13.5	--	22	30
440	3ø	3	11.3	19	--	30
460	3ø	3	12.4	20	--	30
480	3ø	3	13.5	20	--	30



88 Currant Road Fall River, MA 02720-4781 • 508.678.9000 • Fax: 508.678.9447 • Email: sales@amdry.com

P/N 450492 06/15