

ADC AD-45x2R

45-lb Capacity Coin Stack Dryer

Standard Features:

- 45-lb. capacity per pocket
- Single-phase reversing
- 14.6 cu. ft. basket volume per pocket
- 94,000 Btu/hr heat input, 525 cfm airflow per pocket
- Trans-axial airflow
- Two individual micro-controls
- Steel door with gasketless glass
- Two independently controlled pockets
- Available in gas heat
- Available in white front and cabinet
- Two-point roller support with center rear bearing system

Optional Features:

- Stainless steel or gray front or cabinet
- S.A.F.E. (Sensor Activated Fire Extinguishing System) on Phase-7 machines
- Stainless steel basket



AD-45x2R Coin Stack Dryer

Why Purchase ADC AD-45x2R?

Single-Phase Reversing

Reversing tumbler rotation helps prevent “roping” and eliminates uneven drying and prolonged dry-times. Larger items such as comforters and beach towels are better separated as the tumbler reverses. Many installations simply do not have 3-phase power and the standard single-phase feature eliminates the need for costly electrical service upgrades. Better dry, better customer experience.

Multi-Colored Door Trim

Exclusively for the AD-45x2R, store owners have the option of changing the hue of the door trim to match their laundry’s branding. ADC understands the importance of consistency when it comes to brand identity so we leave the choice of color up to you.

Rugged Steel Door with Gasketless Door Glass

Our dryer doors are one solid piece of steel with gasketless glass. This eliminates the issue of glass falling out due to wear and tear on rubber gaskets that some manufacturers use to secure their glass. The security and durability that gasketless glass provides is essential to a successful laundromat operation.

Two-Point Roller Drive with Center Bearing System

The AD-45x2R is designed with a two-point roller support with center bearing system, eliminating costly repairs and downtime due to trunnion failures.

More for Less

The AD-45x2R incorporates all of the state-of-the-art design features from the leader in stack dryer design with simple controls and an easy-to-read LED display. The AD-45x2R includes efficient trans-axial airflow and rugged roller supported tumblers. This space-saving dryer is only 34-1/4" wide and just 47-7/18" deep with a large-capacity tumbler that can handle oversized loads. This machine is also fast-drying and efficient, in addition to having exceptionally quiet and smooth operation.

Your local ADC independent authorized distributor



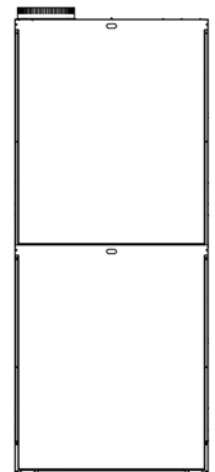
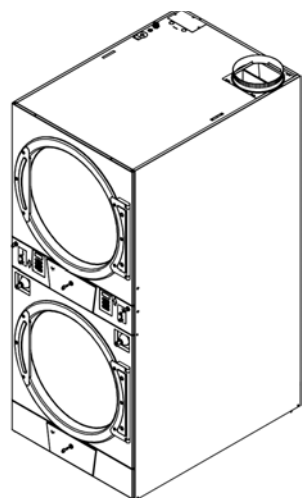
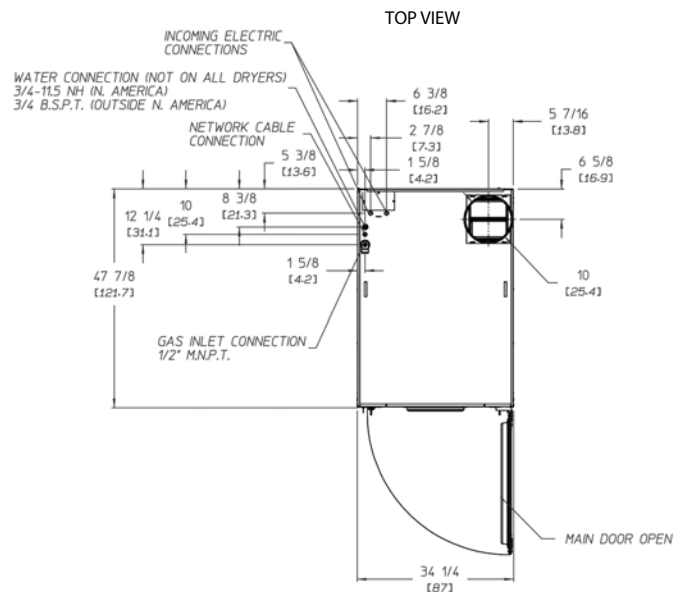
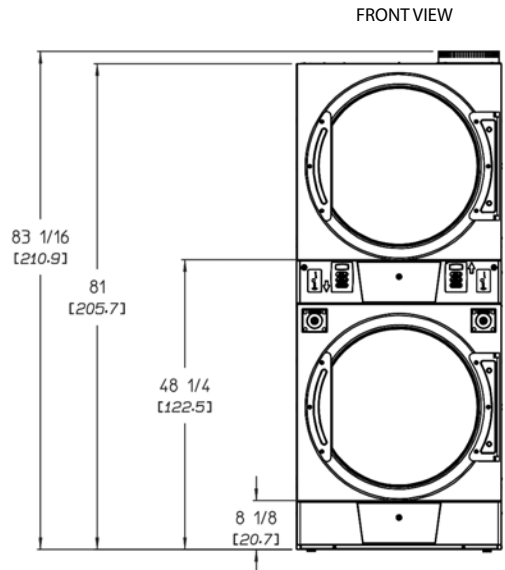
ADC AD-45x2R

AD-45x2R Specifications		
Tumbler Capacity (dry weight per pocket)	45 lbs. (20.4 kg)	
Tumbler Diameter	32-3/4" (83.2 cm)	
Tumbler Depth	30" (76.2 cm)	
Tumbler Volume (per pocket)	14.6 cu ft (413.4 L)	
Tumbler/Drive Motor (per pocket)	1/3 hp (0.25 kW)	
Blower/Fan Motor (per pocket)	1/2 hp (.37 kW)	
Door Opening (Diameter)	27" (68.6 cm)	
Door Sill Height	top pocket bottom pocket	50.4" / 10.3" (128 cm / 26.2 cm)
Dryers per 20'/40' Container	10 / 21	
Dryers per 48'/53' Truck	25 / 28	
Width	34-1/4" (87 cm)	
Depth	47-7/8" (121.6 cm)	
Height	81" (205.7 cm)	
Airflow (per pocket)	60 Hz	525 cfm (14.9 cmm)
Exhaust Connection	10" (25.4 cm)	
GAS MODEL:	Voltage Available Approx. Net Wt. Approx. Ship Wt. Heat Input (per pocket) Inlet Pipe Connection (per dryer)	120v-240v 1ø 2w 50/60 Hz 640 lbs (290 kg) 700 lbs (318 kg) 94,000 btu/hr (23.688 kcal/hr) 1/2" M.N.P.T.

Electrical Specs are per pocket.

Electrical Service Specifications					
GAS (Reversing & Non-Reversing)					
SERVICE VOLTAGE	PHASE	WIRE SERVICE	APPROX AMP DRAW		CIRCUIT BREAKER
			60 Hz	50 Hz	
120	1ø	2	7.6	--	15
208	1ø	2	5.7	--	15
220	1ø	2	--	5.7	15
230	1ø	2	--	5.7	15
240	1ø	2	5	--	15

REV 10/17/14



REAR VIEW



QY160025 1/17

88 Currant Road, Fall River, MA 02720-4781 • 508.678.9000

www.adlaundry.com