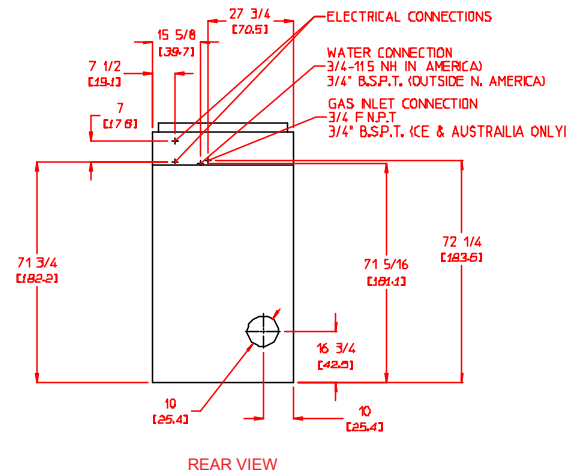
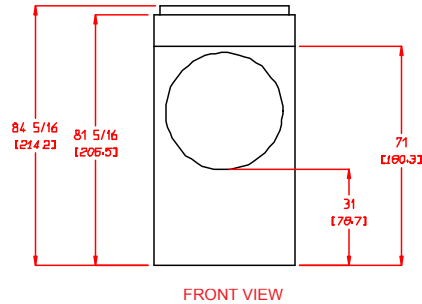
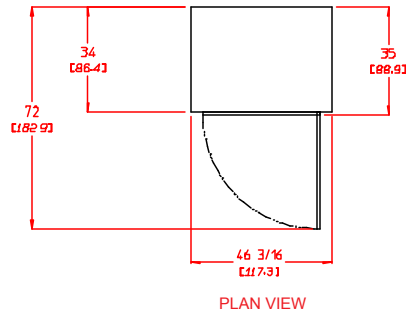


AD-78 Specifications

Tumbler Capacity (dry weight)	75 lbs. (34.02 kg)	
Tumbler Diameter	44-1/2" (113.03 cm)	
Tumbler Depth	24-7/8" (63.18 cm)	
Tumbler Volume	22.40 cu ft (634.30 L)	
Tumbler/Drive Motor	1 hp* (0.75 kW)	
Blower/Fan Motor	1/2 hp (0.37 kW)	
Door Opening (Diameter)	31-3/8" (79.69 cm)	
Door Sill Height	31" (78.74 cm)	
S.A.F.E. Water Connection	3/4" -11.5 NH (North America) 3/4" B.S.P.T. (Outside North America)	
Dryers per 20'/40' Container	10 / 20	
Dryers per 48'/53' Truck	25 / 27	
Width	46-3/16" (117.3 cm)	
Depth	35" (88.9 cm)	
Height	84-5/16" (214.2 cm)	
Airflow gas/electric	60 Hz 50 Hz	1,200 cfm (33.98 cmm) 1,000 cfm (28.31 cmm)
Exhaust Connection	10" (25.40 cm)	
GAS MODEL:	Approx. Net Wt. Approx. Ship Wt. Heat Input	888 lbs (402.79 kg) 938 lbs (425.47 kg) 204,000 btu/hr (51,407 kcal/hr)
	Inlet Pipe Connection	3/4" B.S.P.T. (CE and Australia Only)
ELECTRIC MODEL:	Approx. Net Wt. Approx. Ship Wt.	888 lbs (402.79 kg) 938 lbs (425.47 kg)
	Oven Size per pocket	
	kW	Btu/hr (kcal/hr)
	24	81,900 (20,600)
	36	122,800 (31,000)



Specifications in parentheses are metric equivalents.

5/23/06

* For single-phase (1Ø) dryers use 1 motor: 1 hp drive/fan. For three-phase (3Ø) non-reversing dryers use 1 motor: 1 hp drive/fan and for three-phase (3Ø) reversing dryers use 2 motors: 1 hp fan and 1/2 hp drive.

Electrical Service Specifications

SERVICE VOLTAGE	PHASE	WIRE SERVICE	APPROX AMP DRAW		CIRCUIT BREAKER
			60 Hz	50 Hz	
24 kW Electric					
208	3Ø	3	71	--	90
240	3Ø	3	--	--	--
380	3Ø	4*	--	--	--
400	3Ø	4*	--	--	--
416	3Ø	4*	--	--	--
460	3Ø	3	--	--	--
480	3Ø	3	--	--	--
480	3Ø	3	--	--	--
36 kW Electric					
208	3Ø	3	105	--	150
220	3Ø	3	99	--	125
230	3Ø	3	--	--	--
240	3Ø	3	92	--	125
380	3Ø	4*	--	58	75
400	3Ø	4*	--	--	--
416	3Ø	4*	--	53	70
460	3Ø	3	48	--	60
480	3Ø	3	46	--	60

Electrical Service Specifications

GAS					
SERVICE VOLTAGE	PHASE	WIRE SERVICE	APPROX AMP DRAW		CIRCUIT BREAKER
			60 Hz	50 Hz	
120	1Ø	2	13.0	--	20
208	1Ø	2	7.6	--	15
230	1Ø	2	--	8.0	15
240	1Ø	2	7.0	--	15
208	3Ø	3	4.7	--	15
230	3Ø	3	--	4.7	15
240	3Ø	3	4.9	--	15
380	3Ø	4*	--	2.9	15
400	3Ø	4*	--	3.1	15
416	3Ø	4*	--	3.1	15
460	3Ø	3	2.8	--	15
480	3Ø	3	2.8	--	15

