

ADC AD-333

30-lb x 2 Capacity Coin Dryer

Standard Features:

- 30-lb. x 2 capacity
- 10.1 cu. ft. volume
- 72,000 Btu/hr heat input, 400 cfm airflow per pocket
- Partial axial airflow
- Steel door with gasketless glass
- One 8" diameter top exhaust connection
- 1/2" gas connection per pocket
- Single coin drop
- Fits through a standard 36" door
- Available in gas heat
- Available in gray or white front and cabinet

COIN



AD-333 Coin Stack Dryer

Why Purchase ADC AD-333?

Engineer-Driven Design That is Built to Last

Our dryers showcase ADC's engineer-driven approach to design. Bearings are permanently lubricated on the motor and drive system. There are no chains used at ADC; rather, we use V-belts and pulleys that simplify serviceability and ensure smooth, quiet, and trouble-free operation. Our dryer cabinets are electrostatically powder-painted inside and out, then baked at 420-degrees fahrenheit before final assembly—ensuring the hardest surface and the longest-lasting finish in the industry.

Rugged Steel Door with Gasketless Door Glass

Our dryer doors are one solid piece of steel with gasketless glass. This eliminates the issue of glass falling out due to wear and tear on rubber gaskets that some manufacturers use to secure their glass. The security and durability that gasketless glass provides is essential to a successful laundromat operation.

More for Less

The AD-333 incorporates all the state-of-the-art design features from the leader in stack dryer design—with simple controls, an easy-to-read LED screen and a large, lightweight lint drawer that is accessible and easy-to-clean—only requiring cleaning once a day. Its fine stainless-steel lint screen is standard. Available for coin or card-ready, the AD-333 gives you all the benefits of ADC quality engineering at a low cost.

Your local ADC independent authorized distributor



ADC AD-333

AD-333 Specifications

Tumbler Capacity (dry weight) (per pocket)	30 lbs. (13.60 kg)	
Tumbler Diameter	27-1/4" (69.21 cm)	
Tumbler Depth	30" (76.20 cm)	
Tumbler Volume (per pocket)	10.1 cu ft (286 L)	
Tumbler/Drive Motor (per pocket)	1/2 hp (0.37 kW)	
Blower/Fan Motor	N/A	
Door Opening (Diameter)	21-1/2" (54.61 cm)	
Door Sill Height	top pocket	52-7/8" (134.3 cm)
	bottom pocket	14-1/4" (36.2 cm)
Dryers per 20'/40' Container	11 / 22	
Dryers per 48'/53' Truck	30 / 33	
Width	29-3/4" (75.4 cm)	
Depth	52-1/4" (132.6 cm)	
Height	78-1/4" (198.8 cm)	
Airflow	60 Hz	400 cfm (11.3 cmm)
	50 Hz	340 cfm (9.6 cmm)
Exhaust Connection	8" (20.32 cm)	
GAS MODEL:	Voltage Available	120-240v 1 ϕ , 2w
	Approx. Net Wt.	675 lbs. (306 kg)
	Approx. Ship Wt.	710 lbs. (322 kg)
	Heat Input (per pocket)	72,000 btu/hr (18,143 kcal/hr)
	Inlet Pipe Connection (per pocket)	1/2" F.N.P.T.

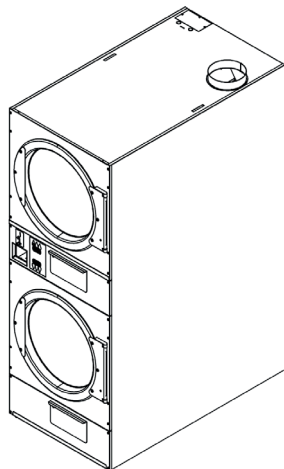
Specifications in parentheses are metric equivalents.

10/16

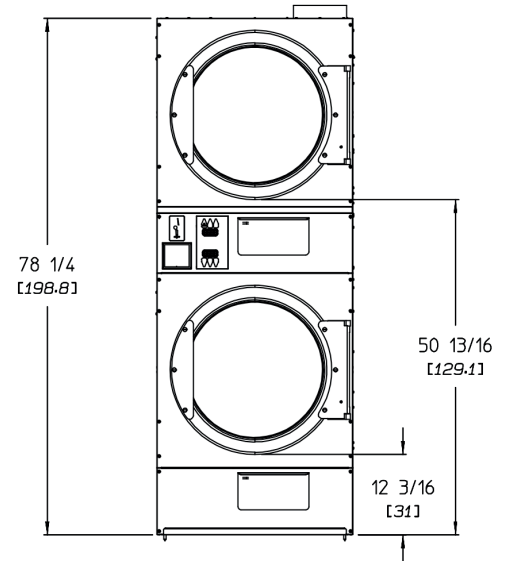
Electrical Specs are per pocket.

Electrical Service Specifications

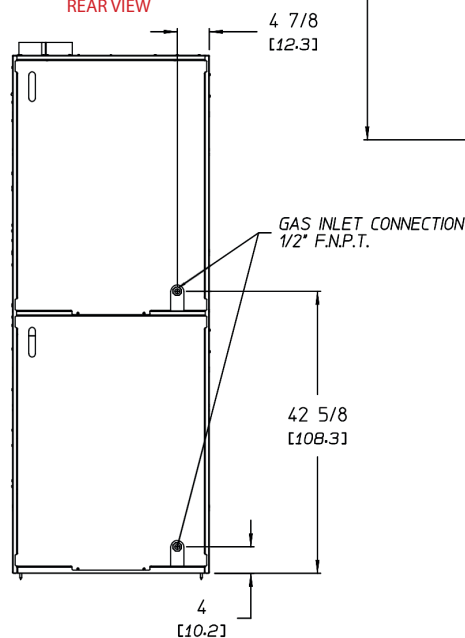
GAS (Non-Reversing)					
SERVICE VOLTAGE	PHASE	WIRE SERVICE	APPROX AMP DRAW		CIRCUIT BREAKER
			60 Hz	50 Hz	
120	1 ϕ	2	8.7	--	15
208	1 ϕ	2	5.2	--	15
220	1 ϕ	2	4.9	5	15
230	1 ϕ	2	4.8	--	15
240	1 ϕ	2	4.8	--	15



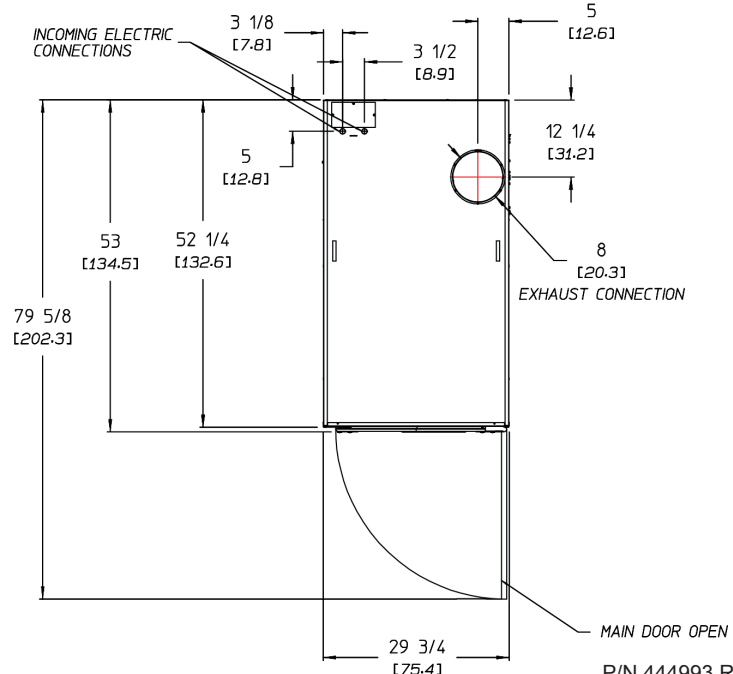
FRONT VIEW



REAR VIEW



TOP VIEW



P/N 444993 Rev. 10/16

88 Currant Road, Fall River, MA 02720-4781