

ADC AD-202

200-lb Capacity OPL Dryer

Standard Features:

- 200-lb. capacity
- 61.20 cu. ft. volume
- 590,000 Btu/hr heat input and 4,200 cfm
- Radial airflow
- Easy to load vertical steel doors
- Self diagnostic microprocessor with patented auto drying feature
- Easy access to lint compartment
- Available in gas and steam heat
- Reversing basket
- Four-Point Roller Support and Drive System
- Stainless Steel Basket with removable panels

Optional Features:

- Stainless steel front and cabinet
- F.S.S. (Fire Suppression System)



AD-202 OPL Dryer

*Not available in United States and Canada

Why Purchase the AD-202?

Engineer Driven Design That is Built to Last

Our dryers showcase an engineer-driven approach to design. Bearings are permanently lubricated on the motor and drive system. We use V-belts and pulleys for smooth, quiet, and trouble free operation. Our dryer cabinets are electrostatically powder-painted inside and out then baked at 420-degrees fahrenheit before final assembly - ensuring the hardest surface and the longest lasting finish in the industry.

Rugged Steel Vertical Doors with Heavy-Duty Pulley System

Our heavy-duty steel door design provides ease of use for loading and unloading utilizing a counter balanced pulley system to ensure simple open and close operation.

A gasket-less door glass panel provides security and durability versus rubber type gaskets.

Easy-to-Read, Multilingual Controls

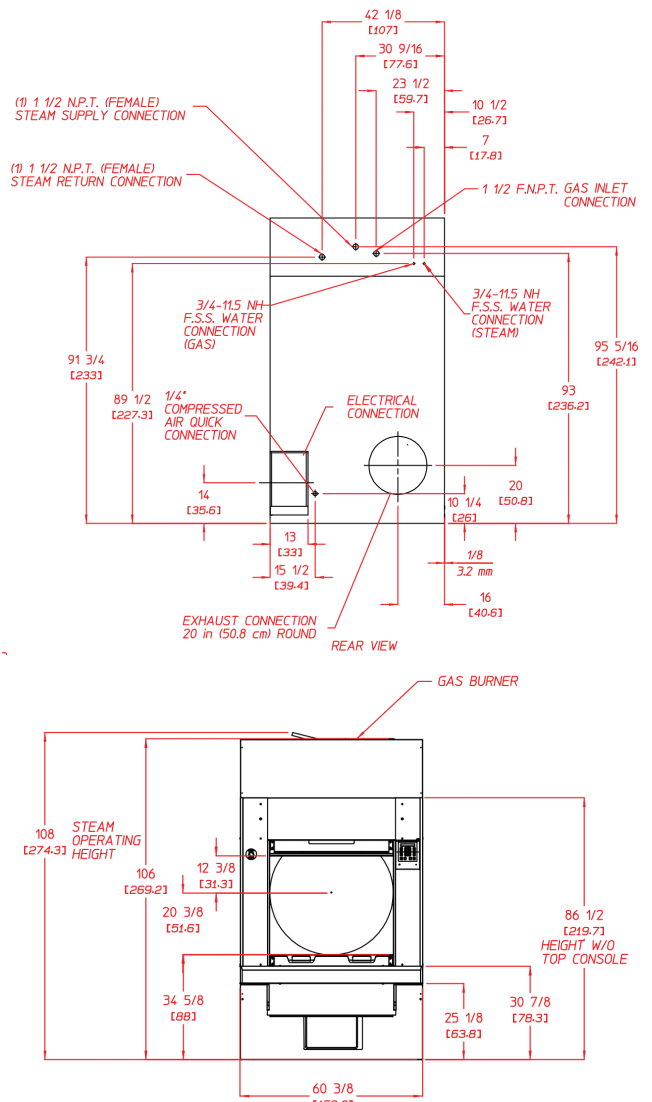
ADC continues to apply innovative technology to dryer operation. Our state of the art microprocessor with auto-dry capabilities, easy-to-read LED screens and our user friendly multilingual interface positions ADC as a leader in the laundry industry.



ADC AD-202

M202 Specifications

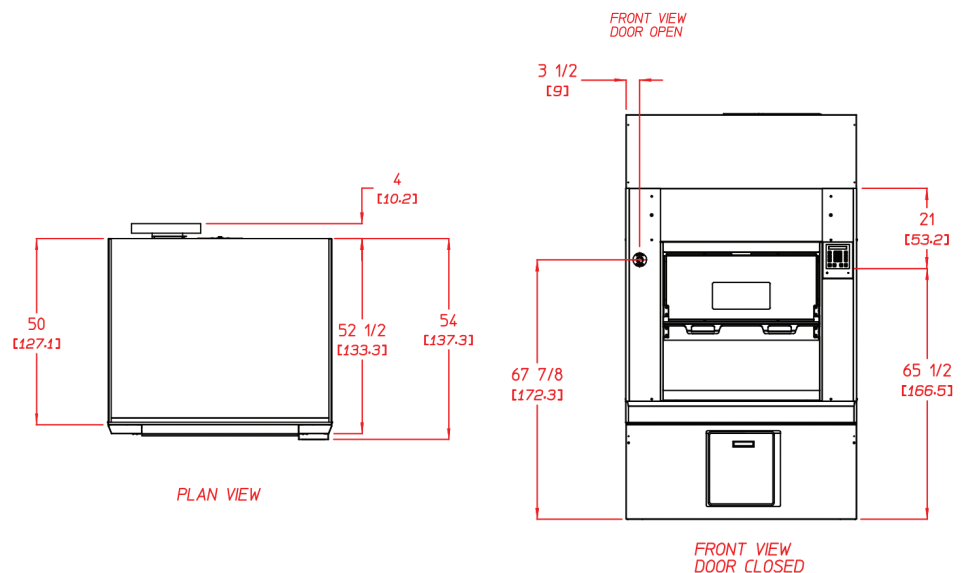
Tumbler Capacity (dry weight)	200 lbs. (90.72 kg)			
Tumbler Diameter	55-5/8" (141.29 cm)			
Tumbler Depth	43-1/2" (110.49 cm)			
Tumbler Volume	61.20 cu ft (1732.99 L)			
Tumbler/Drive Motor	3 hp (2.24 kW)			
Blower/Fan Motor	7-1/2 hp (5.59 kW)			
Door Opening (Diameter)	40-3/4" (103.50 cm)			
Door Sill Height	34-5/8" (87.95 cm)			
Water Connection	3/4" - 11.5 NH			
Dryers per 20'/40' Container	3 / 7			
Dryers per 48'/53' Truck	8 / 8			
Width	60-3/8"			
Depth	54"			
Height	106"			
GAS	Voltage Available	208-575v 3ø 3,4w 50/60 Hz		
	Approx. Net Weight	2,100 lb (952.54 kg)		
	Approx. Shipping Weight	2,166 lb (982.48 kg)		
	Airflow	50/60 Hz	4,200 cfm (118.9 cmm)	
	Heat Input	590,000 Btu/hr (148,678 kcal/hr)		
	Exhaust Connection (Diameter)	20" (50.80 cm)		
	Compressed Air Connection	1/4" Quick Connection		
	Compressed Air Volume	4.25 cfm (0.12 cmh)		
	Inlet Pipe Connection	1-1/2" F.N.P.T.		
	ELECTRIC	Voltage Available	208-575v 3ø 3,4w 50/60 Hz	
Approx. Net Weight		2,349 lb (1,065.49 kg)		
Approx. Shipping Weight		2,515 lb (1,140.78 kg)		
Airflow		4,400 cfm (124.59 cmm)		
Exhaust Connection (Diameter)		20" (50.80 cm)		
Compressed Air Connection		1/4" Quick Connection		
Compressed Air Volume		4.25 cfm (0.12 cmh)		
Oven Size		N/A		
STEAM	Voltage Available	208-575v 3ø 3,4w 50/60 Hz		
	Approx. Net Weight	2,349 lb (1,065.49 kg)		
	Approx. Shipping Weight	2,515 lb (1,140.78 kg)		
	Airflow	50/60 Hz	4,400 cfm (124.59 cmm)	
	Steam Consumption	540 lb/hr (245 kg/hr)		
	Operating Steam Pressure	125 psi max (8.62 bar)		
	Exhaust Connection (Diameter)	20" (50.80 cm)		
	Compressed Air Connection	1/4" Quick Connection		
	Compressed Air Volume	4.25 cfm (0.12 cmh)		
	Boiler HP (Normal Load)	14.5 Bhp		
Standard Supply Connection*	(1) 1-1/2" N.P.T. (Female)			
Standard Return Connection*	(1) 1-1/2" N.P.T. (Female)			



* Refer to installation manual for optional steam connections. REV 5/30/14

Electrical Service Specifications

SERVICE VOLTAGE	PHASE	WIRE SERVICE	APPROX AMP DRAW		CIRCUIT BREAKER
			60 Hz	50 Hz	
GAS & STEAM					
208	3ø	3	37.0	--	50
220	3ø	3	35.0	--	50
220	3ø	3	--	36.0	50
230	3ø	3	34.0	--	50
230	3ø	3	--	30.0	50
240	3ø	3	35.0	--	50
380	3ø	3	19.0	--	30
380	3ø	4	--	18.0	30
400	3ø	4	--	17.0	30
416	3ø	4	--	17.0	30
460	3ø	3	19.0	--	30
480	3ø	3	19.0	--	30
575	3ø	3	14.0	--	20
ELECTRIC					
220	3ø	3	312.0	--	400.0
240	3ø	3	338.0	--	425.0



P/N 450498 Rev. 04/16

88 Currant Road Fall River, MA 02720-4781 • 508.678.9000 • Fax: 508.678.9447 • Email: sales@amdry.com

www.adclaundry.com