

ADC EcoDry ES-3030

30-lb x 2 Capacity OPL Stack Dryer

Standard Features:

- 30-lb. x 2 Capacity
- Residual Moisture Control (RMC)
- Self-Diagnostic Microprocessor Control
- 100% Axial Airflow
- Completely Sealed Basket
- Non-Perforated Ribs and Basket
- Dual-Paned Door Glass
- Four-Point Roller Support System
- Single Phase Reversing

Optional Features:

- Stainless Steel Front, Cabinet & Basket
- S.A.F.E. (Sensor Activated Fire Extinguishing System)



ES-3030 OPL Stack Dryer

Why Purchase ADC EcoDry?

100% Axial Airflow (standard)

EcoDry tumblers incorporate a 100% axial airflow design with a completely sealed basket. This ensures the most efficient drying available on the market today without sacrificing dry times.

Four-Point Roller Support System (standard)

EcoDryers are designed with a four-point roller support system, eliminating costly repairs and downtime due to trunnion failures.

Single Phase Reversing (standard)

Single Phase Reversing is a standard feature on the ES-3030. What once was an expensive option requiring an upgrade from single phase to three phase electrical service is now available in single phase. A reversing tumbler ensures that the load doesn't "rope" or "ball up", providing a quicker, more even drying process.

Residual Moisture Control (standard)

EcoDry utilizes a unique Residual Moisture Control (RMC) sensing system to measure the presence of moisture in the load. The patented system senses when the load is dry, shutting the unit down to prevent over-drying. This saves time, utility costs as well as prolongs the life of dried items.

Your local ADC independent authorized distributor

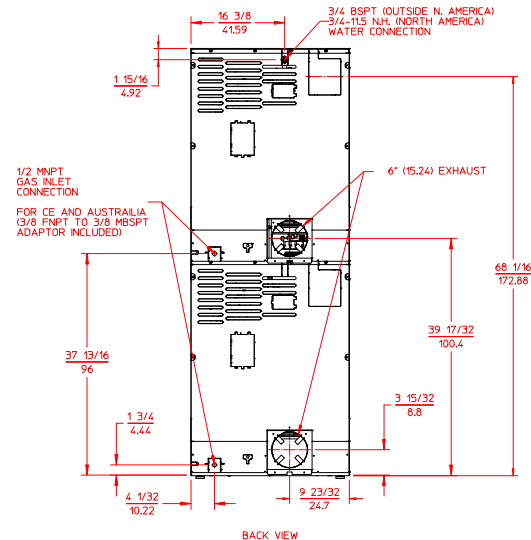
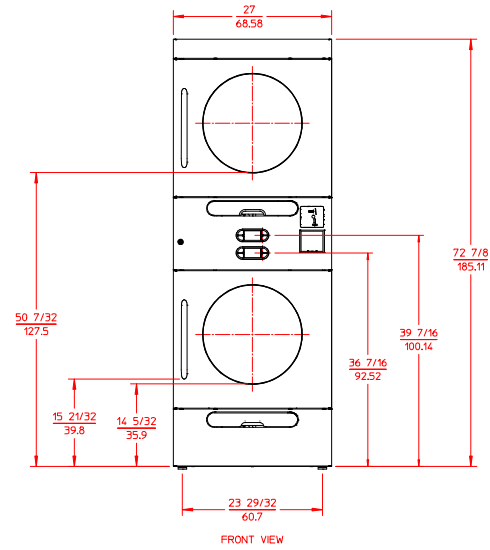


www.amdry.com

ADC EcoDry ES-3030

ES-3030 Specifications

Tumbler Capacity (dry weight per pocket)	30 lbs. (13.61 kg) x 2
Tumbler Diameter	25-3/4" (65.41 cm)
Tumbler Depth	34" (86.36 cm)
Tumbler Volume per pocket	10-1/4 cu ft (290.25 L)
Tumbler/Drive Motor per pocket	1/4 hp (0.19 kW)
Blower/Fan Motor per pocket	1/2 hp (0.37 kW)
Door Opening (Diameter)	19-3/8" (49.21 cm)
Door Sill Height top pocket / bottom pocket	49" (124.46 cm) 13" (33.02 cm)
S.A.F.E. Water Connection	North America 3/4"-11.5 NH Outside North America 3/4" B.S.P.T.
Dryers per 20'/40' Container	14 / 28
Dryers per 48'/53' Truck	36 / 38
Width	27" (68.58 cm)
Depth	40-19/32" (103.12 cm)
Height	72-7/8" (185.11 cm)
Airflow per pocket	310 cfm (8.78 cmm)
Exhaust Connection	6" (15.24 cm)
GAS MODEL:	
Approx. Net Wt.	535 lbs (242.67 kg)
Approx. Ship Wt.	560 lbs (254.01 kg)
Heat Input	52,500 btu/hr (13,230 kcal/hr)
Inlet Pipe Connection per pocket (CE and Australia Only)	1/2" M.N.P.T. 3/8" M.B.S.P.T.

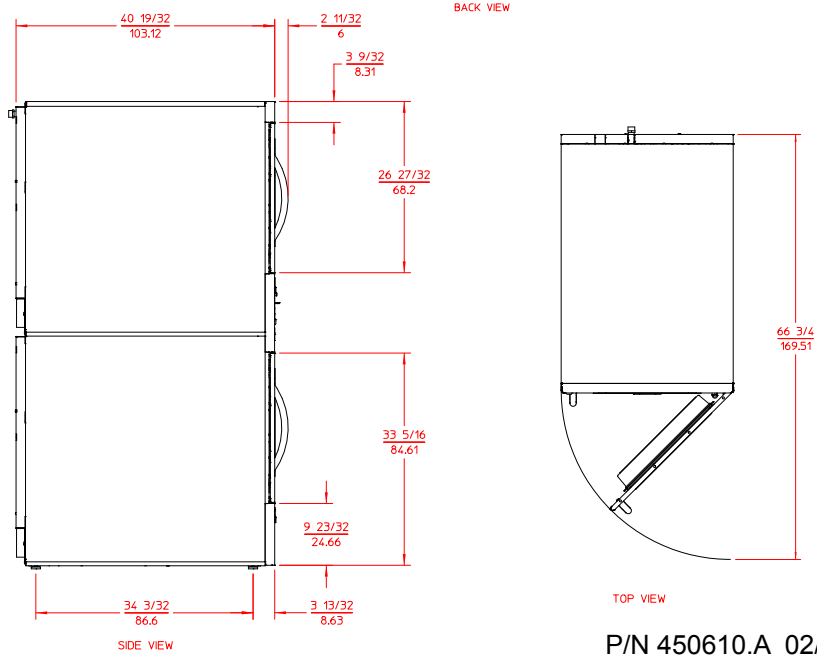


* Not available in electric or steam models.
** Specifications in parentheses are metric equivalents.

2/12/09

Electrical Service Specifications

SERVICE VOLTAGE	PHASE	WIRE SERVICE	APPROX AMP DRAW		CIRCUIT BREAKER
			60 Hz	50 Hz	
GAS					
120	1ø	2	8.9	--	15
200	1ø	2	7.7	7.8	15
208	1ø	2	7.6	--	15
220	1ø	2	7.3	7.4	15
230	1ø	2	--	7.3	15
240	1ø	2	7.2	7.0	15



88 Currant Road Fall River, MA 02720-4781 • 508.678.9000 • Fax: 508.678.9447 • Email: sales@amdry.com

P/N 450610.A 02/10

www.amdry.com