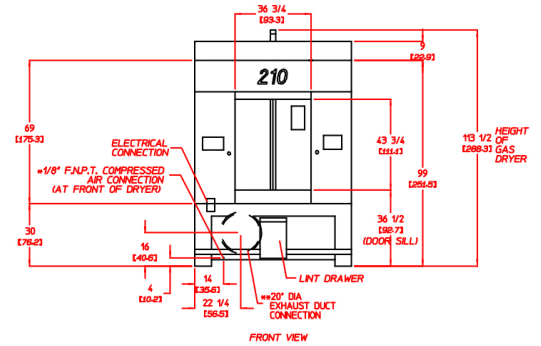
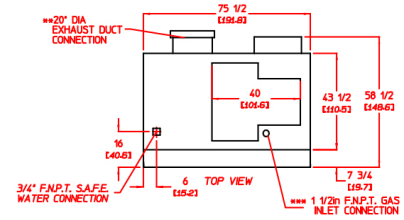
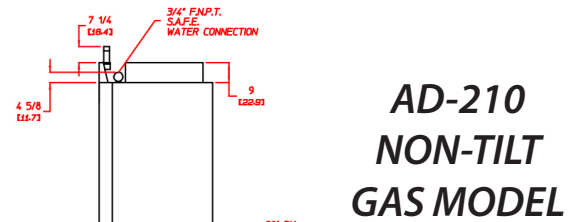


# AD-210 Models

AD-210 Non Tilt		200 lb	90.72 kg
MAXIMUM CAPACITY (DRY WEIGHT)		200 lb	90.72 kg
TUMBLER DIAMETER	62-1/2"	158.75 cm	
TUMBLER DEPTH	42"	106.7 cm	
TUMBLER VOLUME	74.5 cu ft	2,109.60 L	
TUMBLER/DRIVE MOTOR	3 hp	2.24 kW	
DOOR OPENING *	36-3/4" w x 43" h	93.3 cm x 109.2 cm	
DOOR SILLHEIGHT - LEVEL	36-1/2"	94.6 cm	
COMPRESSED AIR VOLUME	3.25 cfm	0.25 cmh	
COMPRESSED AIR CONNECTION **	1/8" F.N.P.T.		
EXHAUST CONNECTION (DIAMETER)	20"	50.8 cm	
WATER CONNECTION ***	3/4" F.N.P.T.		
VOLTAGE AVAILABLE	208-575v 3ø 3,4w	50/60 Hz	
BLOWER / FAN MOTOR (REAR / SIDE EXHAUST)	7-1/2 hp / 15 hp	5.6 kW / 11.2 kW	
APPROXIMATE NET WEIGHT	3,033 lb	1,376 kg	
APPROXIMATE SHIPPING WEIGHT	3,195 lb	1,449 kg	
HEAT INPUT	650,000 Btu/hr	163,810 kcal/hr	
AIRFLOW	50/60 Hz	5,300 cfm	150.08 cmm
INLET PIPE CONNECTION	1-1/2" F.N.P.T.		
VOLTAGE AVAILABLE	208-575v 3ø 3,4w	50/60 Hz	
BLOWER / FAN MOTOR	15 hp	11.2 kW	
APPROXIMATE NET WEIGHT	3,275 lb	1,486 kg	
APPROXIMATE SHIPPING WEIGHT	3,437 lb	1,559 kg	
AIRFLOW	60 Hz	6,500 cfm	184.06 cmm
	50 Hz	5,417 cfm	153.38 cmm
STEAM CONSUMPTION	890 lb/hr	404.5 kg/hr	
OPERATING STEAM PRESSURE	125 psi max	8.6 bar	
BOILER HORSEPOWER (NORMAL LOAD)		27 Bhp	
SUPPLY CONNECTION	2" M.N.P.T.		
RETURN CONNECTION	2" M.N.P.T.		

AD-210 2-Way Tilt		200 lb	90.72 kg
MAXIMUM CAPACITY (DRY WEIGHT)		200 lb	90.72 kg
TUMBLER DIAMETER	62-1/2"	158.75 cm	
TUMBLER DEPTH	42"	106.7 cm	
TUMBLER VOLUME	74.5 cu ft	2,109.60 L	
TUMBLER/DRIVE MOTOR	3 hp	2.24 kW	
DOOR OPENING *	36-3/4" w x 43" h	93.3 cm x 109.2 cm	
DOOR SILLHEIGHT - LEVEL	37-1/4"	94.6 cm	
COMPRESSED AIR VOLUME	9 cfm	0.25 cmh	
COMPRESSED AIR CONNECTION **	3/8" F.N.P.T.		
EXHAUST CONNECTION (DIAMETER)	20"	50.8 cm	
WATER CONNECTION ***	3/4" F.N.P.T.		
VOLTAGE AVAILABLE	208-575v 3ø 3,4w	50/60 Hz	
BLOWER / FAN MOTOR (REAR / SIDE EXHAUST)	7-1/2 hp / 15 hp	5.6 kW / 11.2 kW	
APPROXIMATE NET WEIGHT	3,370 lb	1,529 kg	
APPROXIMATE SHIPPING WEIGHT	3,670 lb	1,664 kg	
HEAT INPUT	650,000 Btu/hr	163,810 kcal/hr	
AIRFLOW	50/60 Hz	5,300 cfm	150.08 cmm
INLET PIPE CONNECTION	1-1/2" F.N.P.T.		
VOLTAGE AVAILABLE	208-575v 3ø 3,4w	50/60 Hz	
BLOWER / FAN MOTOR	15 hp	11.2 kW	
APPROXIMATE NET WEIGHT	3,625 lb	1,644 kg	
APPROXIMATE SHIPPING WEIGHT	3,925 lb	1,780 kg	
AIRFLOW	60 Hz	6,500 cfm	184.06 cmm
	50 Hz	5,417 cfm	153.38 cmm
STEAM CONSUMPTION	890 lb/hr	404.5 kg/hr	
OPERATING STEAM PRESSURE	125 psi max	8.6 bar	
BOILER HORSEPOWER (NORMAL LOAD)		27 Bhp	
SUPPLY CONNECTION	1-1/2" M.N.P.T.		
RETURN CONNECTION	3/4" M.N.P.T.		

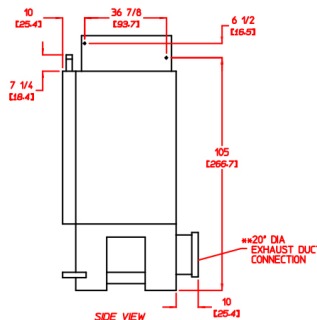


Shaded areas are stated in metric equivalents

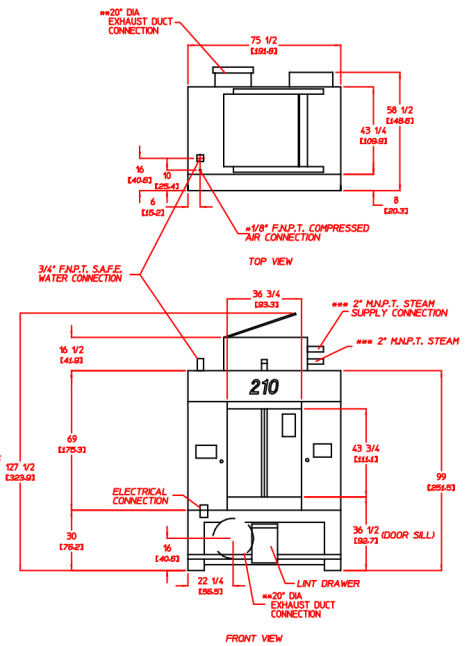
- \* Height is 43 inches (109.2 cm) maximum at the center of the door.
- \*\* Dryer must be provided with clean, dry and regulated 80 psi +/- 10 psi (5.51 bar +/- 0.69 bar) air supply.
- \*\*\* Water supply must be 40 psi +/- 20 psi (2.75 bar +/- 1.37 bar) for fire suppression system to operate properly.

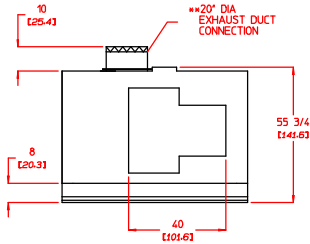
Gas Rear Exhaust - Electrical Service Specifications (Per Dryer)				
<b>IMPORTANT:</b> 208 VAC and 230/240 VAC are not the same. When ordering, specific voltage.				
<b>NOTES:</b> A. Circuit breakers are thermal/magnetic (industrial) motor curve type <b>ONLY</b> . For others calculate/verify correct breakers size according to appliance amp draw rating and type of breaker to be used.				
B. Circuit breakers for 3ø dryers must be 3-pole type.				
Voltage	Phase	Wire Service	Hz	Total Current
208	3	3/4	60	37.6
230	3	3	60	33.7
240	3	3	60	33.7
460	3	3	60	17.9
480	3	3	60	17.9
575	3	3	60	14.4
<hr/>				
230	3	3	50	36.2
380	3	3/4	50	20.7
400	3	3/4	50	19.9
416	3	3/4	50	19.8

Gas side exhaust and steam - Electrical Service Specifications (Per Dryer)				
<b>IMPORTANT:</b> 208 VAC and 230/240 VAC are not the same. When ordering, specific voltage.				
<b>NOTES:</b> A. Circuit breakers are thermal/magnetic (industrial) motor curve type <b>ONLY</b> . For others calculate/verify correct breakers size according to appliance amp draw rating and type of breaker to be used.				
B. Circuit breakers for 3ø dryers must be 3-pole type.				
Voltage	Phase	Wire Service	Hz	Total Current
208	3	3/4	60	54.7
230	3	3	60	50.5
380	3	3	60	51.3
460	3	3	60	26.4
480	3	3	60	26.4
575	3	3	60	21.5
<hr/>				
230	3	3	50	54.0
380	3	3/4	50	32.7
400	3	3/4	50	29.7
416	3	3/4	50	29.1



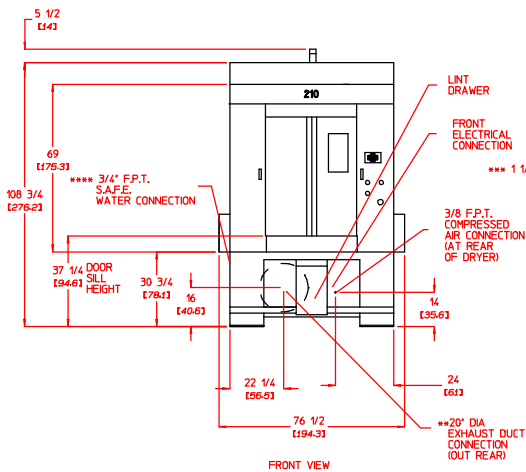
## AD-210 NON-TILT STEAM MODEL



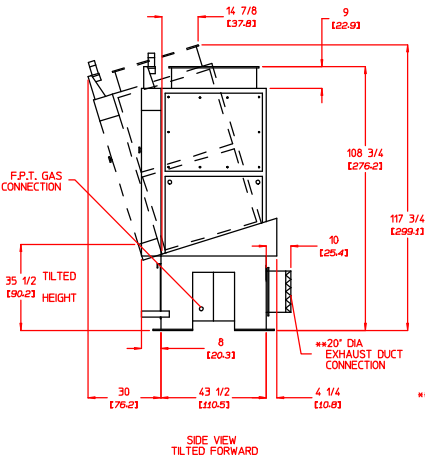


TOP VIEW

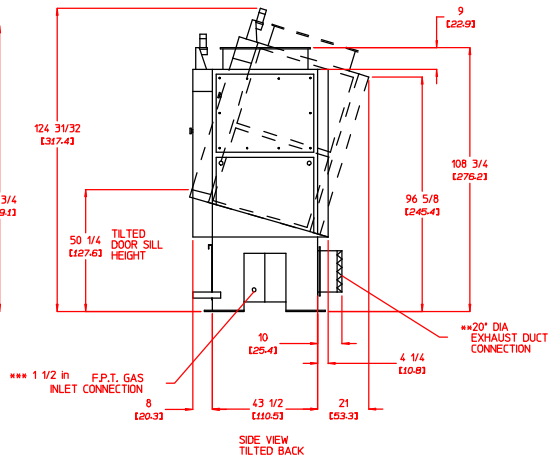
**210  
1 DOOR/2-WAY TILT\*  
GAS MODEL**



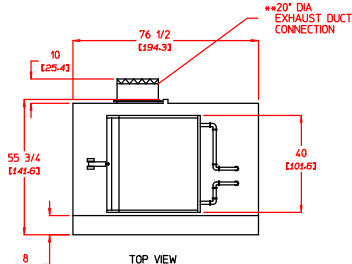
FRONT VIEW



SIDE VIEW  
TILTED FORWARD



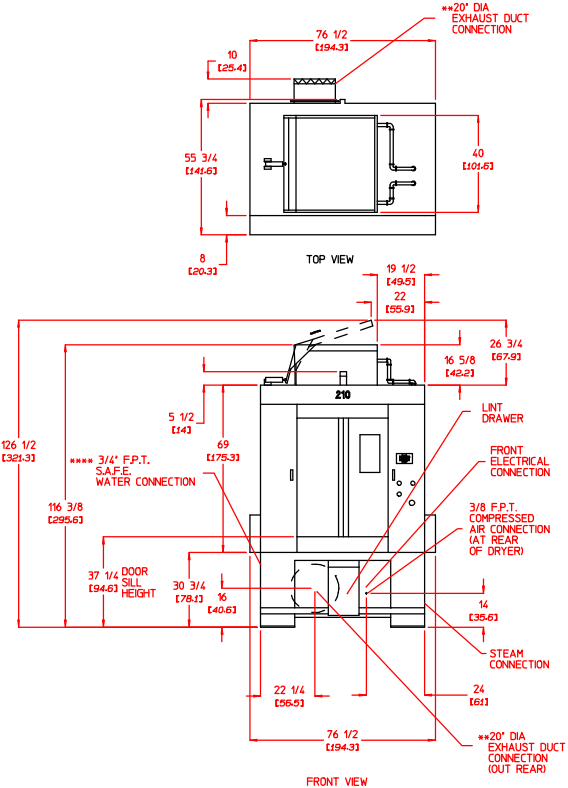
SIDE VIEW  
TILTED BACK



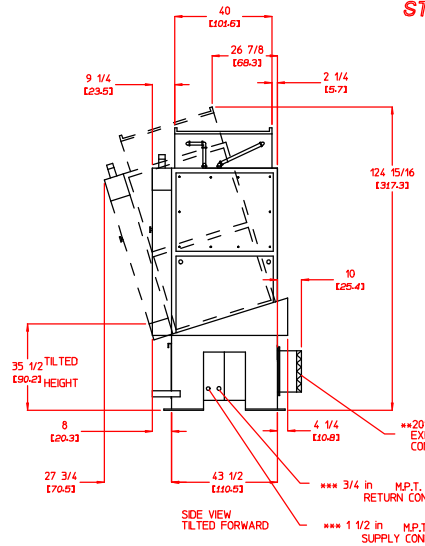
TOP VIEW

\* BOTH GAS AND STEAM UNITS MUST BE SUPPLIED WITH CLEAN, DRY, REGULATED AIR AT 80 PSI ± 10 PSI (5.52 BAR ± .69 BAR).  
\*\* DUCTWORK SIZE VARIES WITH INSTALLATION CONDITIONS. EXHAUST STATIC PRESSURE SHOULD NOT EXCEED 0.3" WATER COLUMN (0.72 IN).  
\*\*\* SIZE OF PIPING TO DRYER VARIES WITH INSTALLATION CONDITIONS. CONTACT FACTORY FOR ASSISTANCE.

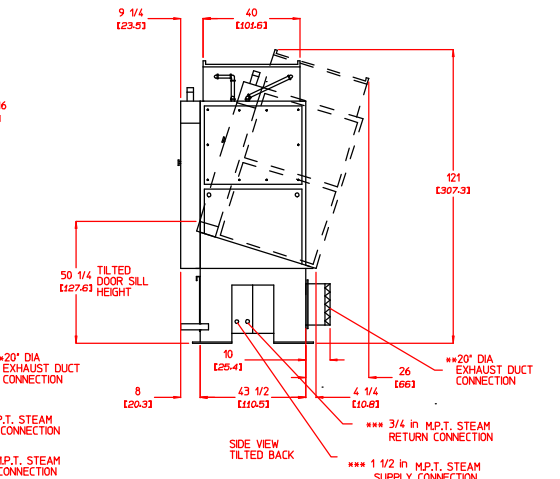
**210  
1 DOOR/2-WAY TILT\*  
STEAM MODEL**



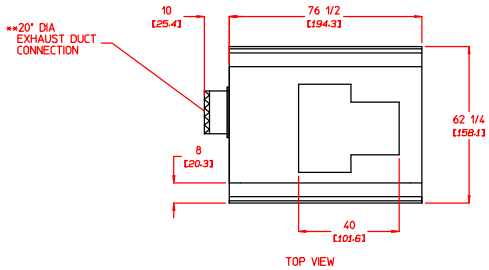
FRONT VIEW



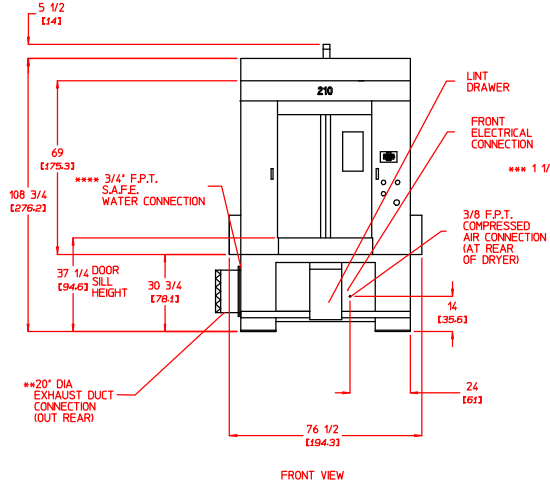
SIDE VIEW  
TILTED FORWARD



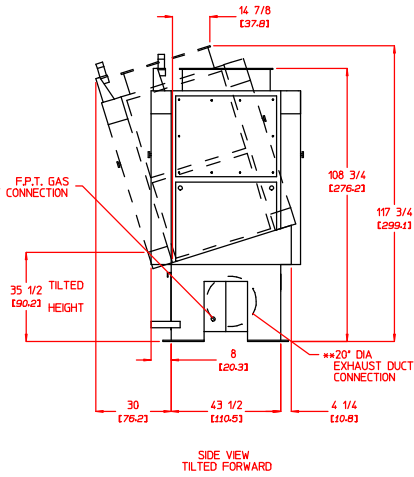
SIDE VIEW  
TILTED BACK



TOP VIEW

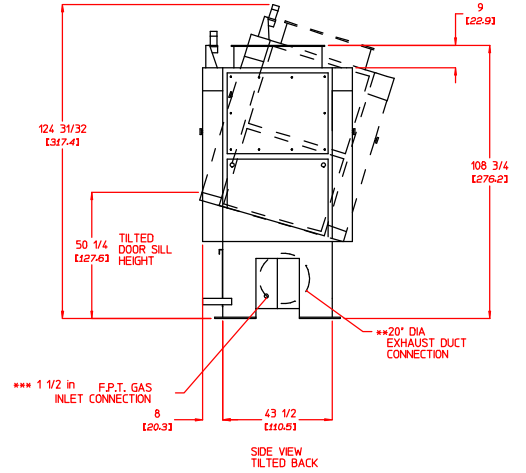


FRONT VIEW

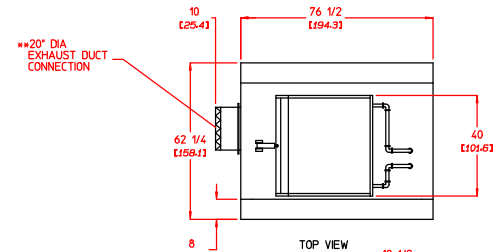


SIDE VIEW TILTED FORWARD

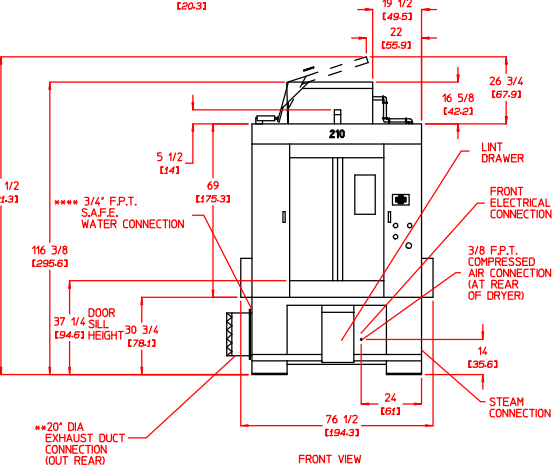
**210  
2 DOOR/2-WAY TILT\*  
GAS MODEL**



SIDE VIEW TILTED BACK



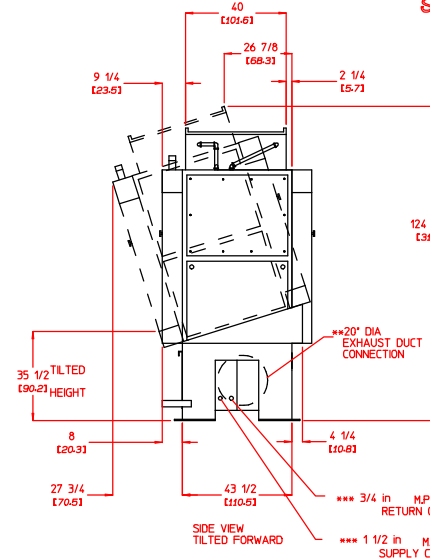
TOP VIEW



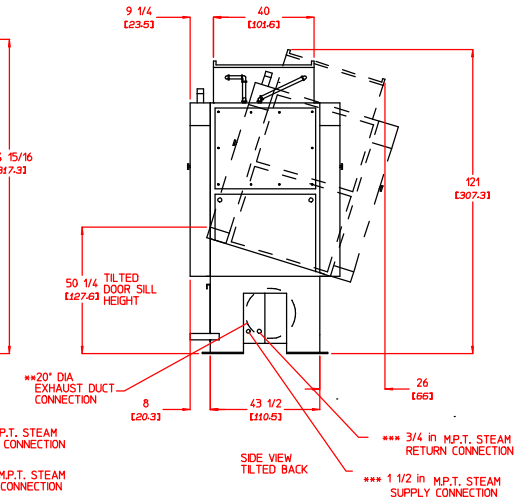
FRONT VIEW

- \* BOTH GAS AND STEAM UNITS MUST BE SUPPLIED WITH CLEAN, DRY, REGULATED AIR AT 80 PSI ± 10 PSI (5.52 BAR ± .69 BAR).
- \*\* DUCTWORK SIZE VARIES WITH INSTALLATION CONDITIONS. EXHAUST STATIC PRESSURE SHOULD NOT EXCEED 0.3" WATER COLUMN (0.74 mb).
- \*\*\* SIZE OF PIPING TO DRYER VARIES WITH INSTALLATION CONDITIONS. CONTACT FACTORY FOR ASSISTANCE.

**210  
2 DOOR/2-WAY TILT\*  
STEAM MODEL**



SIDE VIEW TILTED FORWARD



SIDE VIEW TILTED BACK

- \*\*\* 3/4 in M.P.T. STEAM RETURN CONNECTION
- \*\*\* 1 1/2 in M.P.T. STEAM SUPPLY CONNECTION