

EcoWash EWS-80

80-lb Capacity Rigid Mount/100 G-Force COIN Washer/Extractor

Features and Benefits:

- Coin or Card Ready
- Inverter Driven Motor
- Heavy-Duty Structural Tube Construction
- Stainless Steel Cabinet
- Easy to Program and Easy to Use Controls
- Load Imbalance Detection Before Spinning
- Large, Convenient Supply Dispenser
- Flexible Water Level Settings
- Ergonomic, Easy-Grip Door Handle
- 10/5 Year Limited Warranty*

Why Purchase ADC EcoWash?



EWS-80 COIN Washer/Extractor

Rugged Structural Tube Construction

EcoWash rapid spin washer/extractors are constructed with a structural tube design frame in combination with a heavy-duty cast aluminum counter weight to provide superior strength and maximum stability throughout the wash cycle.

Durable Door Safety Lock and Handle

The durable ergonomic design of the door handle combined with our Easy Lock™ door lock provides maximum convenience and safety.

Large, Convenient Supply Dispenser

Easy to use, this large supply dispenser allows you to conveniently load your detergent, bleach and fabric softeners before starting your wash cycle.

Your local ADC independent authorized distributor



88 Carrant Road Fall River, MA 02720-4781 • 508.678.9000 • Fax: 508.678.9447 • Email: sales@amdry.com

www.adlaundry.com

EcoWash EWS-80

100 G-Force Standard Spin Washer-Extractor	
Features	EWS-80
DRUM	
Load Capacity (lb/kg)	80 / 36.28
Drum Volume (cu. ft./liter)	12.36 / 350
Drum Diameter (in/mm)	33.85 / 859
Drum Depth (in/mm)	23.70 / 601
DIMENSIONS	
Width (in/mm)	38.54 / 978
Depth (in/mm)	45.90 / 1165
Height (in/mm)	56.22 / 1427
Weight (lb/Kg)	1042.79 / 473
DIMENSIONS WITH PACKAGING	
Crated Width (in/mm)	40.16 / 1020
Crated Depth (in/mm)	48.82 / 1240
Crated Height (in/mm)	66.14 / 1679
Crated Weight (lb/Kg)	1108.93 / 503
DOOR	
Height to Bottom of Door (in/mm)	28.86 / 733
Door Opening Diameter (in/mm)	22.05 / 560
POWER	
Voltage/Phase	208-240 / 3 ϕ
Full load current / Breaker (amps) - 1 ϕ	13 / 20
Full load current / Breaker (amps) - 3 ϕ	9.5 / 15
CONNECTIONS	
Water Inlet (in/mm)	.75 / 19
Steam Inlet (in/mm)	.75 / 19
Drain (in/mm)	3 / 76
CYLINDER SPEED	
Washing speed (r.p.m.)	45
Spinning speed (r.p.m.)	458
G-Force	100
FLOOR LOADING	
Static Floor Load	1042 lb / 4,73 kN
Dynamic Floor Load	176 lb / 0,8 kN
Maximum Vertical Load	1218 lb / 5,53 kN
Dynamic Load Frequency (Hz)	7.6
G Factor	100
OPTION HEAT SOURCES	
Steam Inlet (in/mm)	3/4 / 1.91
Electric	21 kW
WATER	
Average Usage (gallons)*	57.8

* one wash, two rinse cycles

Five-Year Limited Warranty on Parts (Parts Only – Labor Not Included). For the first five (5) years from the date of purchase, when this commercial appliance is installed, maintained and operated according to the instructions attached to or furnished with the product, American Dryer brand of Whirlpool Corporation (hereafter "ADC") will pay for factory-specified parts or original equipment manufacturer parts to correct defects in materials or workmanship.

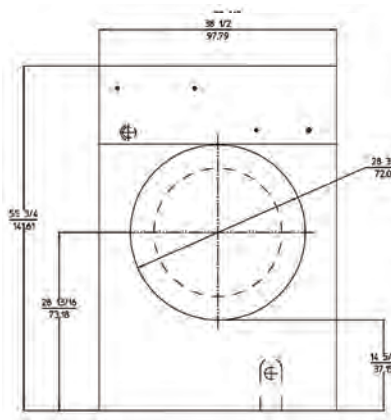
Sixth-Through Tenth-Year Limited Warranty (Certain Component Parts Only). In the sixth through tenth years from the date of purchase, when this commercial appliance is installed, operated and maintained according to the instructions attached to or furnished with the product, ADC will pay for factory-specified replacement parts for the following components to correct non-cosmetic defects in materials or workmanship in the parts that prevent function of the product and that existed when this commercial appliance was purchased. This is a limited 10-year warranty on the named parts only and does not include labor: outer shell, drum and shaft assembly, inner welded frame bearings and seals. See complete warranty for details.



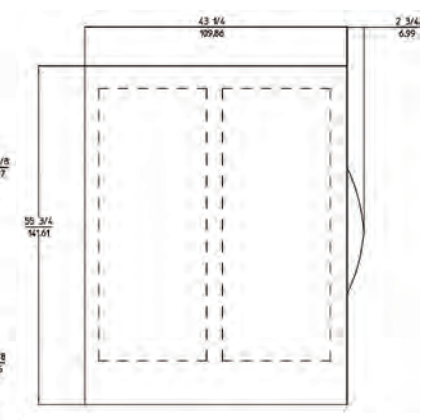
Intuitive Micro Controls (IMC®) That Makes Washing Easy For You and Your Customers

Intuitive Micro Controls (IMC®) is our programmable microprocessor that is customizable, easy to program and easy to use. You can simplify existing programs; modify or delete the temperature and times of each phase of the cycle, as well as modify water levels to achieve maximum savings in your Laundromat. Multi vend pricing capability also enables you to maximize your Laundromat's revenue.

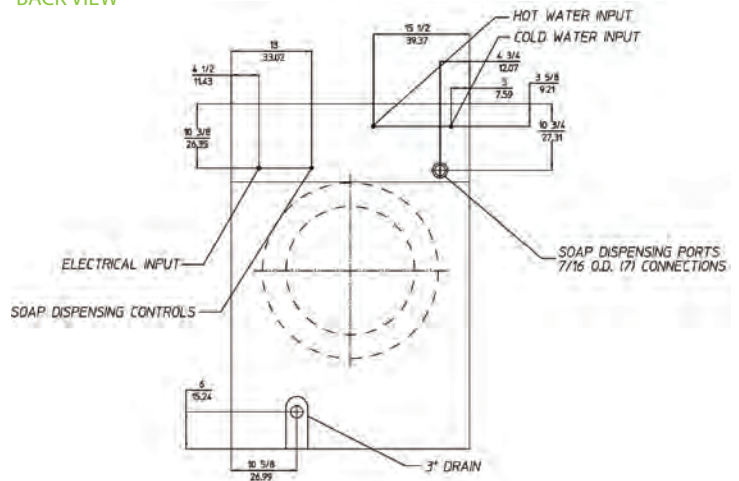
FRONT VIEW



SIDE VIEW



BACK VIEW



P/N 451053 REV 4/16

* Specifications are subject to change without notice or obligation. Contact ADC for dimensions not shown or for clarification.

www.adclaundry.com