

EcoWash EWH-30

30-lb Capacity Soft Mount/350 G-Force Coin Washer/Extractor

Features and Benefits:

- Coin or Card Ready
- Inverter Driven Motor
- Soft Mount
- Stainless Steel Cabinet
- Easy to Program and Easy to Use Controls
- Load Imbalance Detection Before Spinning
- Large, Convenient Supply Dispenser
- Flexible Water Level Settings
- Ergonomic, Easy-Grip Door Handle
- 10/5 Year Limited Warranty*

Why Purchase ADC EcoWash?



EWH-30 Coin Washer/Extractor

Soft Mount

EcoWash high spin washer/extractors feature a heavy-duty cast aluminum counter weight and our automatic imbalance detection system. Together these provide maximum stability and gentler movement, prolonging the unit's life.

Durable Door Safety Lock and Handle

The durable ergonomic design of the door handle combined with our Easy Lock™ door lock provides maximum convenience and safety.

Large, Convenient Supply Dispenser

Easy to use, this large supply dispenser allows you to conveniently load your detergent, bleach and fabric softeners before starting your wash cycle.

Your local ADC independent authorized distributor



88 Currant Road Fall River, MA 02720-4781 • 508.678.9000 • Fax: 508.678.9447 • Email: sales@amdry.com

www.adclaundry.com

EcoWash EWH-30

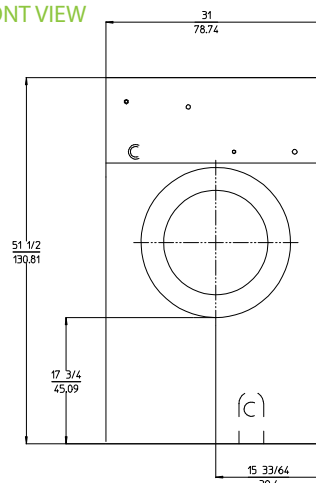
350 G-Force High Spin Washer-Extractor	
Features	EWH-30
DRUM	
Load Capacity (lb/kg)	30 / 13.60
Drum Volume (cu. ft./liter)	4.6 / 130
Drum Diameter (in/cm)	24-3/8 / 62
Drum Depth (in/cm)	16-15/16 / 43
DIMENSIONS	
Width (in/cm)	31 / 78.74
Depth (in/cm)	31-1/2 / 80.01
Height (in/cm)	51-1/2 / 130.71
Weight (lb/Kg)	551 / 250
DIMENSIONS WITH PACKAGING	
Crated Width (in/cm)	32-1/2 / 826
Crated Depth (in/cm)	39-1/2 / 100.33
Crated Height (in/cm)	59-1/2 / 151.13
Crated Weight (lb/Kg)	591 / 268.07
DOOR	
Height to Bottom of Door (in/cm)	17-3/4 / 45.09
Door Opening Diameter (in/cm)	14-3/4 / 37.47
POWER	
Motor	1 kW
Heating (Electric Heated Model)	9 kW
Maximum Power (Electric Version)	10 kW
CONNECTIONS	
Water Inlet (in/cm)	3/4 / 1.90
Drain (in/cm)	3 / 7.62
CYLINDER SPEED	
Washing speed (r.p.m.)	50
Spinning speed (r.p.m.)	1000
G-Force	350
FLOOR LOADING	
Static Floor Load	551 lb / 2,50 kN
Dynamic Floor Load	231 lb / 1,05 kN
Maximum Vertical Load	782 lb / 3,55 kN
Dynamic Load Frequency (Hz)	16,7
G Factor	350
OPTION HEAT SOURCES	
Steam Inlet (in/cm)	1/2 / 1.27
Electric	9 kW



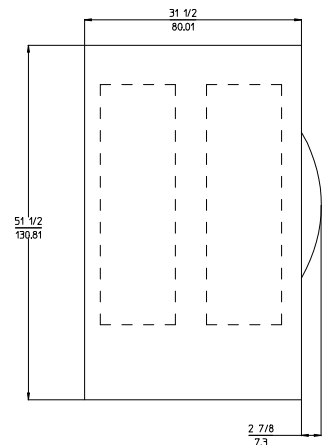
Intuitive Micro Controls (IMC®) That Makes Washing Easy For You and Your Customers

Intuitive Micro Controls (IMC®) is our programmable microprocessor that is customizable, easy to program and easy to use. You can simplify existing programs; modify or delete the temperature and times of each phase of the cycle, as well as modify water levels to achieve maximum savings in your Laundromat. Multi vend pricing capability also enables you to maximize your Laundromat's revenue.

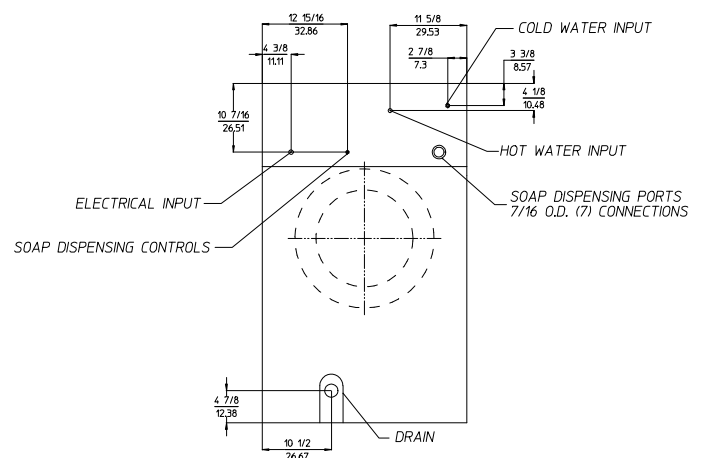
FRONT VIEW



SIDE VIEW



BACK VIEW



Five-Year Limited Warranty on Parts (Parts Only – Labor Not Included). For the first five (5) years from the date of purchase, when this commercial appliance is installed, maintained and operated according to the instructions attached to or furnished with the product, American Dryer brand of Whirlpool Corporation (hereafter "ADC") will pay for factory-specified parts or original equipment manufacturer parts to correct defects in materials or workmanship.

Sixth-Through Tenth-Year Limited Warranty (Certain Component Parts Only). In the sixth through tenth years from the date of purchase, when this commercial appliance is installed, operated and maintained according to the instructions attached to or furnished with the product, ADC will pay for factory-specified replacement parts for the following components to correct non-cosmetic defects in materials or workmanship in the parts that prevent function of the product and that existed when this commercial appliance was purchased. This is a limited 10-year warranty on the named parts only and does not include labor: outer shell, drum and shaft assembly, inner welded frame bearings and seals. See complete warranty for details.

P/N 450622 REV 4/16

* Specifications are subject to change without notice or obligation. Contact ADC for dimensions not shown or for clarification.

www.adlaundry.com