

# ADC EcoDry ES-20

## 20-lb Capacity Coin Dryer

### Standard Features:

- 20-lb. Capacity
- Self-Diagnostic Microprocessor Control
- 100% Axial Airflow
- Completely Sealed Basket
- Non-Perforated Ribs and Basket
- Dual-paned Door Glass
- Four-Point Roller Support System
- High Capacity Lint Drawer

### Optional Features:

- Stainless Steel Front, Cabinet & Basket
- Single Phase Reversing
- Residual Moisture Control (Coin RMC)
- S.A.F.E. (Sensor Activated Fire Extinguishing System)
- Card Ready

### Why Purchase ADC EcoDry?

#### 100% Axial Airflow (standard)

EcoDry tumblers incorporate a 100% axial airflow design with a completely sealed basket. This ensures the most efficient drying available on the market today without sacrificing dry times.

#### Four-Point Roller Support System (standard)

EcoDryers are designed with a four-point roller support system, eliminating costly repairs and downtime due to trunnion failures.

#### Available Option: Single Phase Reversing

Single Phase Reversing is an optional feature on the ES-20. What once was an expensive option requiring an upgrade from single phase to three phase electrical service is now available in single phase. A reversing tumbler ensures that the load doesn't "rope" or "ball up", providing a quicker, more even drying process.

#### Available Option: Residual Moisture Control

EcoDry utilizes a unique Residual Moisture Control (Coin RMC) sensing system to measure the presence of moisture in the load. The patented system will save the coin laundry owner utility costs as it senses when the load is dry even if there is time left on the coin meter. Coin RMC reduces the heat input while it continues to run the tumbler and provides the end-user with dry, warm clothes. Coin RMC ensures full revenue for the laundry owner while at the same time reducing utility costs.



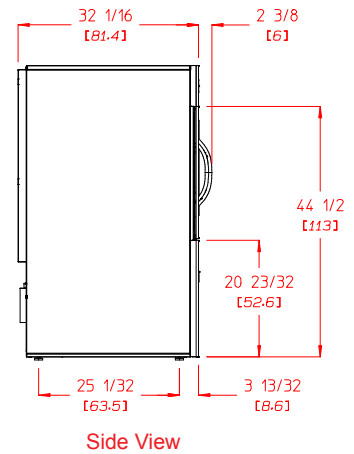
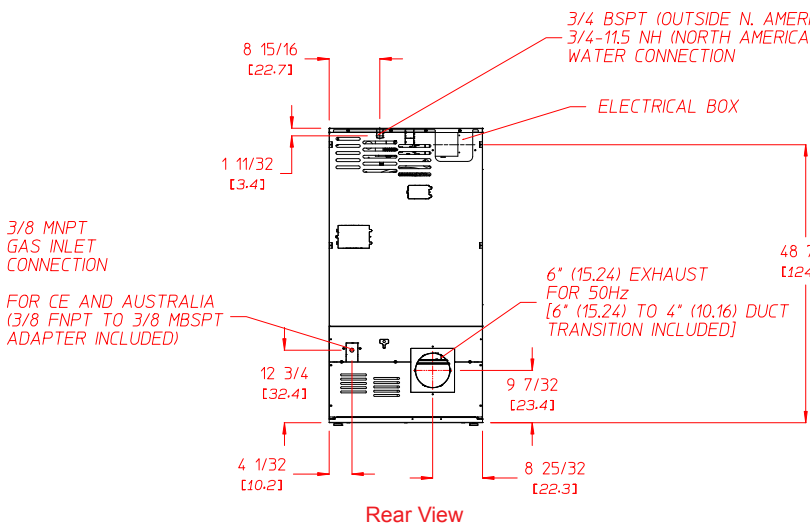
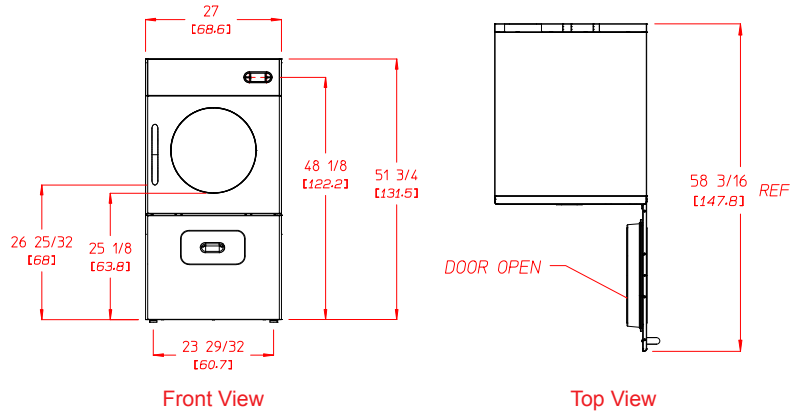
ES-20 Coin Dryer

Your local ADC independent authorized distributor



# ADC EcoDry ES-20

ES-20 Specifications			
Tumbler Capacity	20 lbs. (9.07 kg)		
Tumbler Diameter	25-3/4" (65.41 cm)		
Tumbler Depth	24" (60.96 cm)		
Tumbler Volume	7-1/2 cu ft (212.38 L)		
Tumbler/Drive Motor	1/4 hp (0.19 kW)		
Blower/Fan Motor	1/2 hp (0.37 kW)		
Door Opening (Diameter)	19-3/8" (49.21 cm)		
Door Sill Height	24" (60.96 cm)		
S.A.F.E. Water Connection			
North America	3/4"-11.5 NH		
Outside North America	3/4" B.S.P.T.		
Dryers per 20'/40' Container	21 / 42		
Dryers per 48'/53' Truck	48 / 54		
Width	27" (68.6 cm)		
Depth	32-1/16" (81.4 cm)		
Height	51-3/4" (131.5 cm)		
Airflow			
60Hz	230 cfm (6.51 cmm)		
50Hz	200 cfm (5.66 cmm)		
Exhaust Connection	4" (10.16 cm)		
GAS MODEL:			
Voltage Available	120-240V 1ø 2w 50/60 Hz		
Approx. Net Wt.	245 lbs (111.13 kg)		
Approx. Ship Wt.	265 lbs (120.20 kg)		
Heat Input	37,000 btu/hr (9,320 kcal/hr)		
Inlet Pipe Connection per pocket (CE and Australia Only)	3/8" M.N.P.T. / 3/8" M.B.S.P.T.		
ELECTRICAL MODEL:			
Approx. Net Wt.	245 lbs (111.13 kg)		
Approx. Ship Wt.	265 lbs (120.20 kg)		
Exhaust Connection (Diameter)	4" (10.16 cm)		
Oven Size per pocket			
kW	Btu/hr (kcal/hr)	kW	Btu/hr (kcal/hr)
4.1	13,843 (3,488)	6.5	22,184 (5,590)
5.0	17,065 (4,300)	6.8	23,208 (5,848)
5.4	18,430 (4,644)	7.4	25,255 (6,364)
5.6	19,112 (4,816)	7.5	25,597 (6,450)
6.1	20,819 (5,246)	8.1	27,644 (6,966)



\*\* Specifications in parentheses are metric equivalents. REV 5/31/12  
 \* Not available in steam models

Electrical Specs are per pocket

Electrical Service Specifications													
SERVICE VOLTAGE	PHASE	WIRE SERVICE	OVEN KW	APPROX AMP DRAW		CIRCUIT BREAKER	SERVICE VOLTAGE	PHASE	WIRE SERVICE	OVEN KW	APPROX AMP DRAW		CIRCUIT BREAKER
				60 Hz	50 Hz						60 Hz	50 Hz	
ELECTRIC						ELECTRIC							
200	1ø	2	5.6	32.8	32.6	45	208	3ø	3	6.5	22.9	--	30
208	1ø	2	4.1	24.3	--	35	220	3ø	3	6.8	22.7	--	30
208	1ø	2	6.1	34.1	--	45	230	3ø	3	7.5	--	23.4	30
220	1ø	2	4.6	25.5	--	40	240	3ø	3	8.1	24.3	--	40
220	1ø	2	6.8	35.7	35.5	45	380	3ø	4	6.8	--	14.9	20
230	1ø	2	5.0	--	26.3	35	400	3ø	4	7.5	--	15.4	20
230	1ø	2	7.4	--	36.7	50	416	3ø	4	8.1	--	15.8	20
240	1ø	2	5.4	27.3	--	35							
240	1ø	2	8.1	38.3	50								

Electrical Service Specifications					
SERVICE VOLTAGE	PHASE	WIRE SERVICE	APPROX AMP DRAW		CIRCUIT BREAKER
			60 Hz	50 Hz	
GAS					
120	1ø	2	8.9	--	15
200	1ø	2	7.8	7.6	15
208	1ø	2	7.7	--	15
220	1ø	2	7.5	7.3	15
230	1ø	2	--	7.2	15
240	1ø	2	7.4	7.1	15



P/N 450618 Rev. 10/3/13

88 Currant Road Fall River, MA 02720-4781 • 508.678.9000 • Fax: 508.678.9447 • Email: sales@amdry.com

www.adclaundry.com