

# ADC AD-30x2R

## 30-lb Capacity Coin Dryer

### Standard Features:

- 30-lb. capacity per pocket
- Single Phase Reversing
- 11 cu. ft basket volume per pocket
- 72,000 btu/hr heat input, 450 cfm. airflow per pocket
- Trans-axial airflow
- Dual micro controls
- Steel door with gasketless glass
- Two independently controlled pockets
- Fits through a 32" door
- Available in gas heat
- Available in white front and cabinet
- Two-point roller support with center rear bearing system

### Optional Features:

- Stainless steel or grey front, cabinet & basket
- S.A.F.E. (Sensor Activated Fire Extinguishing System) on Phase 7 machines



AD-30x2R Coin Dryer

## Why Purchase ADC AD-30x2R?

### Single Phase Reversing

Reversing tumbler rotation helps prevent “roping” and eliminates uneven drying and prolonged dry-times. Larger items such as comforters and beach towels are better separated as the tumbler reverses. Many installations simply do not have 3-phase power and the standard single phase feature eliminates the need for costly electrical service upgrades. Better dry, better customer experience.

### Multi-colored Door Trim

Exclusively for the AD-30x2R, store owners have the option of changing the hue of the door trim to match their laundry's branding. ADC understands the importance of consistency when it comes to brand identity so we leave the choice of color up to you.

### Rugged Steel Door with Gasketless Door Glass

Our dryer doors are one solid piece of steel with gasketless glass. This eliminates the issue of glass falling out due to wear and tear on rubber gaskets that some manufacturers use to secure their glass. The security and durability that gasketless glass provides is essential to a successful laundromat operation.

### Two-Point Roller Drive with Center Bearing System

The AD-30x2R is designed with a two-point roller support with center bearing system, eliminating costly repairs and downtime due to trunnion failures.

### More for Less

The AD-30x2R incorporates all of the state-of-the-art design features from the leader in stack dryer design with simple controls and an easy-to-read LED display. The AD-30x2R includes efficient trans-axial airflow and rugged roller supported tumblers. This space saving dryer is only 31-1/2" wide and just over 40" deep with a large capacity tumbler that can handle oversized loads. This machine is also fast drying and efficient, in addition to having exceptionally quiet and smooth operation.

Your local ADC independent authorized distributor



# ADC AD-30x2R

## AD-30x2R Specifications

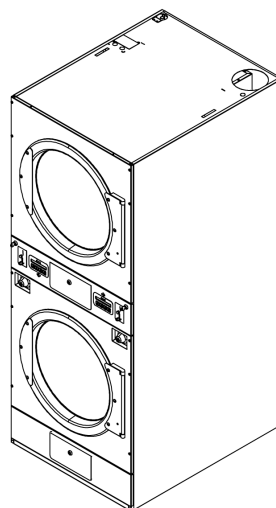
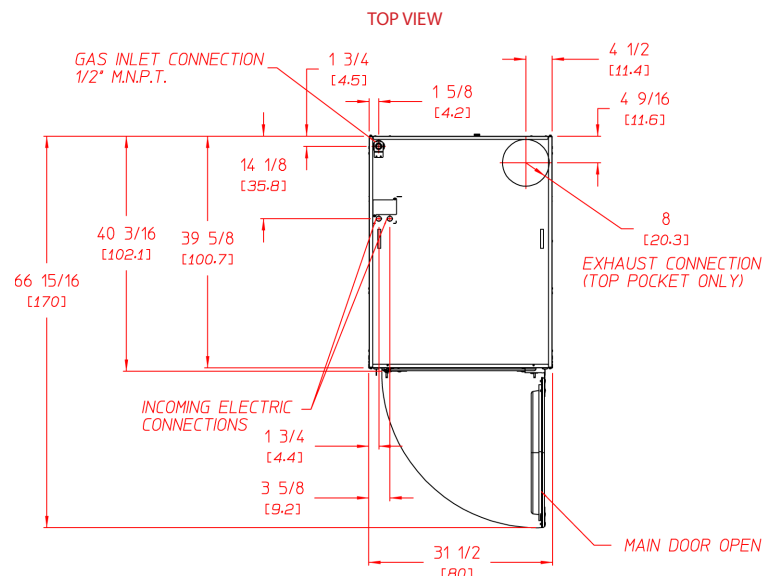
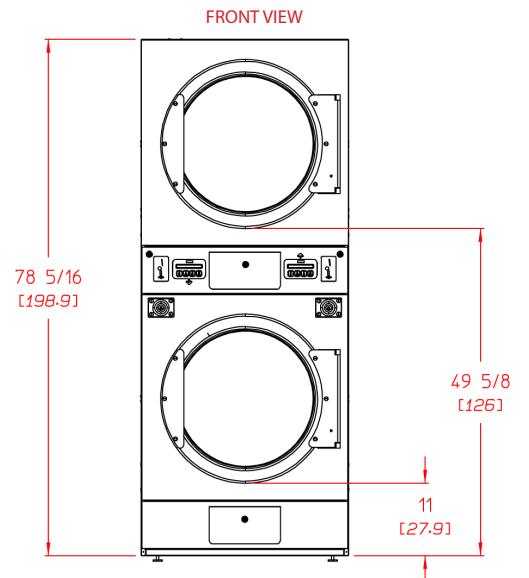
Tumbler Capacity (dry weight per pocket)	30 lbs. (13.6 kg)	
Tumbler Diameter	30" (76.2 cm)	
Tumbler Depth	27" (68.5 cm)	
Tumbler Volume (per pocket)	11 cu ft (311.5 L)	
Tumbler/Drive Motor (per pocket)	1/4 hp (0.19 kW)	
Blower/Fan Motor (per pocket)	1/2 hp (.37 kW)	
Door Opening (Diameter)	21-1/2" (54.6 cm)	
Door Sill Height	top pocket	51-3/4" / 13-1/8"
	bottom pocket	(131.4 cm / 33.3 cm)
Dryers per 20'/40' Container	14/ 28	
Dryers per 48'/53' Truck	36 / 42	
Width	31-1/2" (80 cm)	
Depth	40-3/16" (102.1 cm)	
Height	78-5/16" (198.8 cm)	
Airflow (per pocket)	50 Hz	375 cfm (10.6 cmm)
	60 Hz	450 cfm (12.74 cmm)
Exhaust Connection	8" (20.3 cm)	
GAS MODEL:	Voltage Available	120v-240v 1ø 2w 50/60 Hz
	Approx. Net Wt.	520 lbs (236 kg)
	Approx. Ship Wt.	550 lbs (249 kg)
	Heat Input (per pocket)	72,000 btu/hr (18,144 kcal/hr)
Inlet Pipe Connection (per dryer)		1/2" M.N.P.T.

Electrical Specs are per pocket

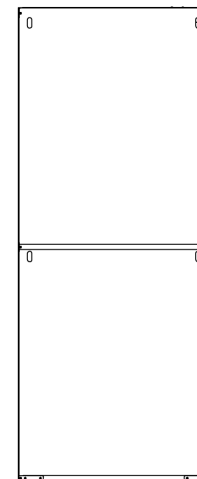
## Electrical Service Specifications Gas Models Only

SERVICE VOLTAGE	PHASE	WIRE SERVICE	APPROX AMP DRAW		CIRCUIT BREAKER
			60 Hz	50 Hz	
120	1ø	2	14.2	--	20
120*	1ø	2	7.1	--	15 (2)
200	1ø	2	6.5	5	15
220	1ø	2	5.1	4.6	15
230	1ø	2	4.8	--	15
240	1ø	2	4.8	--	15

REV 5/29/13



REAR VIEW



P/N 451039 Rev. 6/16/15

88 Currant Road Fall River, MA 02720-4781 • 508.678.9000 • Fax: 508.678.9447 • Email: sales@amdry.com

www.adclaundry.com